



TABLE OF CONTENTS

IGNITOR & IGNITOR II ELECTRONIC IGNITION CONVERSIONS

AUTOMOTIVE	2-7
AUTOMOTIVE APPLICATIONS BY DISTRIBUTOR NUMBER	8-9
TRUCK & BUS	10
INDUSTRIAL	11-18
INDUSTRIAL APPLICATIONS BY DISTRIBUTOR NUMBER	19
AGRICULTURAL	20-25
AGRICULTURAL APPLICATIONS BY DISTRIBUTOR NUMBER	26
MARINE	27
REPLACEMENT PARTS	28
6,12-VOLT POSITIVE AND 6-VOLT NEGATIVE GROUND IGNITOR KITS	28

DISTRIBUTORS

FLAME-THROWER HEI DISTRIBUTORS	30-31
HEI ACCESSORIES	31
FLAME-THROWER BILLET DISTRIBUTOR	32

IGNITION BOXES & REV LIMITERS

SECOND STRIKE	33
DIGITAL REV LIMITER	33

COILS

FLAME-THROWER	34-35
FLAME-THROWER II	34-35

SPARK PLUG WIRES

FLAME-THROWER UNIVERSAL	37
FLAME-THROWER "STOCK-LOOK" CUSTOM FIT	37-40
FLAME-THROWER HEI CUSTOM FIT	41-43

INDUSTRIAL DISTRIBUTORS

INDUSTRIAL DISTRIBUTORS	44-46
REPLACEMENT PARTS	47

APPAREL

T-SHIRTS	48
----------------	----

IGNITOR®

ELECTRONIC IGNITION

**NEVER
CHANGE
POINTS
AGAIN!**

The Ignitor has been proven for over twenty-five years in race cars, off-road vehicles, national rental fleets, parcel delivery services and by backyard mechanics. Upgrade from obsolete breaker points (or many first generation factory electronic and aftermarket electronic ignition) to an electronic system with an easy clean installation. The Ignitor has been called the "stealth" ignition system because it's powerful and almost undetectable underneath your distributor's cap. If you want the very latest in ignition systems check out the added features of the Ignitor II.

IGNITOR®

- Tests results show that the Ignitor delivers twice the voltage to the spark plugs, increasing horsepower, fuel economy and spark plug life.
- A 2:1 improvement over "point type" systems in current fall time for increased coil output.
- System is designed for use with most point-type coils, optimal performance achieved when used with our Flame-Thrower 40,000 volt coil.
- Rotating cobalt magnets*, mounted on the distributor shaft, trigger an electronic switching module (Hall Effect integrated circuit). ...no points to burn, pit and corrode ...no moving and rubbing parts to wear out.
- Electronics are molded in epoxy, eliminating deterioration from dirt, oil, grease or moisture (better foul weather performance).
- Fits entirely inside the distributor, with no "black box" to clutter engine compartment.
- Stable timing ...no need for any adjustments.
- No complicated wiring, makes installation easy.
- Temperature Range: -50 to 300° F.
- RPM Range: 0 to 15,000 RPM.
- Compatible with all 12-volt negative ground systems (Some applications available for 6-volt negative ground and 6 and 12-volt positive ground systems).
- Works great in stock point-type distributors as a trigger for multi-spark CD ignitions, eliminating the need for expensive aftermarket distributors.
- Legal in all 50 states and Canada (C.A.R.B. E.O. #D-57-2).
- Guaranteed for 30 months... We Stand Behind It!

**OVER THE LAST 25+ YEARS, MORE THAN
2,000,000 IGNITORS HAVE BEEN SOLD!**



* New for Delco GM kits: Lobe sensor technology replaces the magnet ring, cutting install time to 15 minutes!

**"THE KEY TO A GREAT IGNITION IS MAKING YOUR COIL MORE EFFECTIVE."
INTRODUCING...**

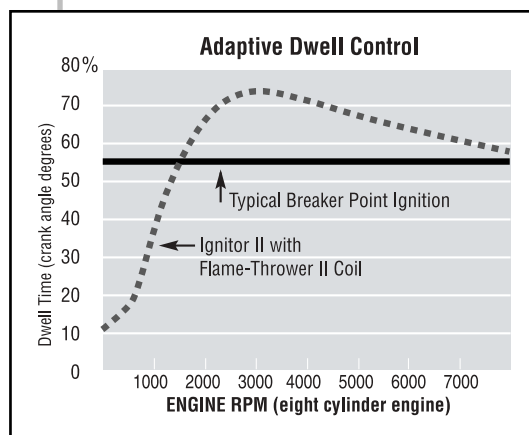
Ignitor® II

- The Ignitor II senses current levels in the coil and adjusts the dwell to maintain peak energy throughout the entire RPM range. Dwell angle is increased or decreased with changing engine RPM and operating conditions. This provides more energy at high RPM, reducing misfires while improving engine performance.
- Compared to point-type systems, develops on average 4 times more available energy between 3000 and 5000 RPM, and 2 times more available plug voltage.
- Compared to the original Ignitor, develops on average 3 times more available energy between 3000 and 5000 RPM, and nearly doubles available plug voltage.
- Higher RPM performance is improved when used with the new Flame-Thrower II super low resistance (0.6 ohms) 45,000 volt coil. Also compatible with other coils.
- Peak current level is reached just prior to spark, so ignition energy is sustained with less heat build-up, increasing coil and module life.
- Adjusts spark timing over the entire RPM range to compensate for the inherent electronic delay, resulting in more stable timing.
- Senses engine startup and increases dwell time, providing more energy for starting.
- Senses incorrectly wired Ignitor II or a "key left on" condition and shuts down the system, protecting the coil and other components from damage.
- Compatible with 12-volt negative ground systems.
- Legal in all 50 states and Canada (C.A.R.B. E.O. #D-57-2).
- Guaranteed for 30 months... We Stand Behind It!

**ALL THE BENEFITS OF THE ORIGINAL
IGNITOR, AND MORE...**



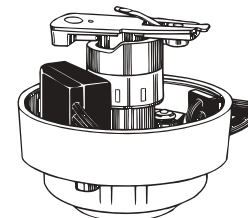
**THINK OF IT AS
AN IGNITOR
WITH BRAINS.**



HOW TO USE THIS GUIDE

PerTronix has gone to great effort to insure the accuracy of this guide. The following pages represent the most common makes and models of each application. To insure that the right part number is selected use these general guidelines:

- Unless otherwise noted, part numbers listed represent 12-volt negative ground kits.
- Applications are based on the vehicle's original distributor.
- Some kits are also available for 6 volt negative ground systems as well as 6 and 12 volt positive ground.
A N6, P6 or P12 prefix is attached to these part numbers. See page 28 for kits available in these variations.
- A "9" prefix indicates an Ignitor II version.
- An "LS" suffix indicates a Lobe Sensor version. Lobe sensor technology senses the point cam, and does not use a magnet sleeve.
- Additional applications by the distributor number are listed on pages 8 and 9.
- Turn to page 34 and 35 for compatible coils and coil selection guide.



Year	Cyl	Make / Model	Ignitor	Ignitor II
ALFA-ROMEO				
1981-77	4	Alfetta 1.6, 1.8, 2.0 Litre	1847V	
1981-77	4	GTV 2000	1847V	
1978-76	4	Romeo F12 (Versolone Benzina)	1847V	
1978-75	4	Alfasud, TI, 5M, Sprint	1847V	
1975-71	4	Alfetta, Alfetta GT, 2000 Berlina GT & Spider Veloce	1847V	
1968-67	4	Sprint GT, Veloce	1844	
1968-66	4	Giulia, Spider with Bosch distributor number 0-231-100-041	1844	
AMERICAN MOTORS				
1979-77	4	All	1847V	
1974-63	6	All	1162A	91162A
1979-78	8	All with small cap Motorcraft electronic ignition	FO-181	9FO-181
1974-63	8	All	1181	91181
1959-57	8	All	1181	91181
AUDI				
1980-79	4	4000 (excluding California model)	1847V	
1979-75	4	Fox 1600cc	1847V	
1977-76	4	100, 100LS (1900cc)	1847V	
1974-73	4	Fox, 80LS	1847V	
1975-70	4	100, GL, LS	1847V	
1972	4	Super 90	1847V	
1971-70	4	90, 100LS	1847V	
AUSTIN				
1979-75	4	All with Lucas electronic ignition	LU-141	9LU-141
AUSTIN HEALEY				
1956-54	4	100	LU-242	
BMW				
1979-77	4	320i	1847V	
1974	4	2002 Tii, 2002	1843	
1973-72	4	2002 Tii	1847V	
1976-75	4	2002	1847V	
1973-72	4	2002 with Bosch distributor number 0-231-180-008	1843	
1973-72	4	2002 with Bosch distributor number 0-231-180-003	1847V	
1972-69	4	2002 excluding Bosch distributor number 0-231-115-045	1847V	
1970-69	4	2000 excluding Bosch distributor number 0-231-115-045	1847V	
1974	6	3.0 CSi	1868	91868
1976-75	6	3.0 Si, CSi (excluding California model)	1868	91868
1975	6	530i	1868	91868
1978-76	6	530i (excluding California model)	1868	91868
1978-77	6	630 CSi (excluding California model)	1868	91868
BUICK				
1974-68	6	All	1162A	91162A
1967-62	6	V-6 even fire engine	1164	91164
1967-62	6	V-6 odd fire engine	1165	
1974-57	8	All	1181	91181
		Lobe Sensor Version (excluding 215 and 300 cid. engine)	1181LSC	
1956-53	8	All with mechanical advance under breakerplate (Lobe Sensor Version)	1185LSC	

IGNITOR / IGNITOR II AUTOMOTIVE APPLICATIONS



Year	Cyl	Make / Model	Ignitor	Ignitor II
CADILLAC				
1974-56	8	All	1181	91181
1955-54	8	All (mechanical advance under breakerplate) Lobe Sensor Version	1188 1187LSCC	
CHECKER				
1974-64	6	230-250 cid. engine	1162A	91162A
1974-64	8	All	1181	91181
CHEVROLET				
1974-62	4	All	1144A	91144A
1974-63	6	All	1162A	91162A
1962-54	6	216, 235, 261 engine	1168	
1953-41	6	216, 235, 261 engine	1167	
1974-58	8	All with single or dual point distributor (mechanical advance at top of shaft) Lobe sensor version	1181 1181LSC	91181
1958-56	8	All with dual point distributor (mechanical advance under breakerplate)	1182D	91182D
1956-55	8	All with mechanical advance under breakerplate (Lobe Sensor Version)	1186LSC	
1975-74	4	LUV Pickup	1741	
CHRYSLER				
1983-78	6	All with Chrysler electronic ignition (excluding Lean Burn distributor)	CH-161	9CH-161
1983-72	8	All with Chrysler electronic ignition (excluding Lean Burn distributor)	CH-181	9CH-181
1975-62	8	All with single point Chrysler distributor	1381A	91381A
1973-68	8	340 six pack engine	1384	
1971-59	8	383, 413, 426, 440 cid. engine with dual point distributor (Hemi Included)	1382	
DATSUN/NISSAN				
1980-79	4	210 with A12 engine	1741	
1977	4	F10, 200SX, B-210, 620 Truck, 710	1741	
1976-74	4	B-210, 610, 620 Truck, 710	1741	
1973-71	4	B-110	1741	
1970-67	4	311 with single point distributor	1741	
1969-68	4	510 with single point distributor	1741	
1969-66	4	520 Truck, 521 Truck	1741	
1967-66	4	411	1741	
1973-70	6	240Z with single point distributor	1761	
DODGE				
1983-73	6	All with Chrysler electronic ignition (excluding Lean Burn distributor)	CH-161	9CH-161
1983-72	8	All with Chrysler electronic ignition (excluding Lean Burn distributor)	CH-181	9CH-181
1981	4	Colt (Canada model)	1741	
1980	4	Colt, Challenger with 1400,1600 engine (excluding California model)	1741	
1972-60	6	All	1361A	91361A
1972-60	8	All with single point Chrysler distributor	1381A	91381A
1971-59	8	383, 413, 426, 440 cid. engine with dual point distributor (Hemi Included)	1382	
1973-68	8	340 six pack engine	1384	
DODGE BROTHERS				
1938-14	6	All with North Eastern Electric distributor	1363P6	
FORD				
1976-74	8	All with small cap Motorcraft electronic ignition	FO-181	9FO-181
1983-77	8	All with large cap Motorcraft electronic ignition	FO-182	9FO-182
1974-57	8	All	1281	91281
1972-60	8	All with dual point distributor non vacuum advance	1281D	91281D
1972-60	8	All with dual point vacuum advance distributor	1281DV	91281DV
1956-54	8	Ford Y block engine	1282	91282
1953-49	8	Ford Flat Head engine	1283	91283
ALL	8	Ford Flat Head engine with Lucas distributor number 40068F	LU-186	
1974	4	140, 2300cc engine	1243	91243
1974-71	4	2000cc engine	1847V	
1974-68	6	All (excluding V-6 engine) (See illustration below)	1261	91261
1967-65	6	All with smog pump (See illustration below)	1261	91261
1969-66	6	200 engine with smog pump (See illustration below)	1261	91261
1964-62	6	All (See illustration below)	1266	91266
1967-65	6	All (excluding smog pump equipped) (See illustration below)	1266	91266



Overhead view of
1266 application shaft



Overhead view of
1261 application shaft

IGNITOR / IGNITOR II AUTOMOTIVE APPLICATIONS



Year	Cyl	Make / Model	Ignitor	Ignitor II
FORD (EUROPE)				
1968-67	4	Taurus 17M, 20M	1847V	
1967	4	Taurus 12M, 15M	1847V	
1980-78	4	Cortina 2300	1847V	
1966-64	4	Cortina Lotus	LU-148	
HONDA				
1979-77	4	Accord, CVCC, Prelude	1741	
1979-73	4	Civic	1741	
1976-75	4	Accord, CVCC	1741	
JAGUAR				
1954-49	6	XK120	LU-168	
1957-55	6	XK140	LU-168	
1961-60	6	XK150, XK150S	LU-165	
1963-61	6	E-TYPE	LU-165	
1963-60	6	MK II 2.4, 3.4, 3.8	LU-165	
JEEP				
1983-77	8	All with large cap Motorcraft electronic ignition	FO-182	9FO-182
1970	4	134 engine with Delco distributor (Post Office Jeep)	1144A	91144A
1974-66	6	232, 258 engine with Delco distributor	1162A	91162A
1968-66	6	225 V-6 odd fire engine with Delco distributor	1165	
1974-66	8	304, 401 engine	1181	91181
ALL	4	All with Prestolite distributor number IAY 4401	1548	
LINCOLN				
1976-74	8	All with small cap Motorcraft electronic ignition	FO-181	9FO-181
1983-77	8	All with large cap Motorcraft electronic ignition	FO-182	9FO-182
1973-57	8	All	1281	91281
LOTUS				
1970-64	4	Elan	LU-148	
MAZDA (NON ROTARY)				
1974-72	4	B1600, 616, 618	1741	
1973	4	618 (1800cc)	1741	
1972	4	618 (1800cc) (California model only)	1741	
1972-71	4	616 (1600cc) 808 (excluding California model with automatic transmission)	1741	
1973-72	4	1600cc with standard transmission.	1741	
1971-70	4	1200, 1500	1741	
1974-70	4	1800	1741	
MERCEDES				
1977-74	4	230, 240	1847V	
1973-72	4	220, 280	1847V	
1967-66	4	200 with distributor number 0-231-170-138	1847V	
1967-66	4	200 with distributor number 0-231-115-052	2843	
1976-75	6	280 with distributor number 0-231-311-001	1868	91868
1974-73	6	280 with distributor number 0-231-310-002	2861	
1970	6	280SE, SEL with distributor number 0-231-116-061	1863	
1970	6	250C, 280S	1867	91867
1969-68	6	280SE, SL, 300SEL with distributor number 0-231-116-051	1864LA	
1967	6	250SE with distributor number 0-231-116-051	1864LA	
1967-66	6	230SL with distributor number 0-231-116-051	1864LA	
1967-66	6	230, S with distributor number 0-231-116-048	1864A	
1965	6	220SE with distributor number 0-231-116-040	1864A	
1962-61	6	300D with distributor number 0-231-116-040	1864A	
1972	8	280SE, SEL, 300SEC, 350SL	1885	91885
MERCURY				
1976-74	8	All with small cap Motorcraft electronic ignition	FO-181	9FO-181
1983-77	8	All with large cap Motorcraft electronic ignition	FO-182	9FO-182
1974-71	4	122 cid. engine (2000cc) with Bosch distributor	1847V	
1974	4	140 cid. engine (2300cc)	1243	91243
1974-68	6	All	1261	91261
1974-57	8	All with single point distributor	1281	91281
1972-60	8	All with dual point distributor non vacuum advance	1281D	91281D
1972-60	8	All with dual point vacuum advance distributor	1281DV	91281DV

IGNITOR / IGNITOR II AUTOMOTIVE APPLICATIONS



Year	Cyl	Make / Model	Ignitor	Ignitor II
MG				
1979-75	4	Midget, MGB, MGB-GT with Lucas electronic ignition	LU-141	9LU-141
1979-77	4	MGB, MGB-GT with Lucas electronic ignition	LU-141	9LU-141
1955-53	4	TF	LU-146	
1957	4	Magnette	LU-142A	
OLDSMOBILE				
1973-67	4	All with Bosch distributor	1847V	
1974-66	6	All	1162A	91162A
1965-64	6	V-6 odd fire engine	1165	
1974-56	8	All	1181	91181
		Lobe sensor version	1181LSCC	
1955	8	All (mechanical advance under breakerplate)	1188	
		Lobe sensor version	1187LSCC	
OPEL				
1975	4	1900	1847V	
1975-72	4	Manta	1847V	
1974-68	4	GT 1900, Kadett 1.9 Litre	1847V	
1972-67	4	Kadett 1.1 Litre	1847V	
1968	4	Kadett 1.5 Litre	1847V	
1967-66	4	Kadett	1847V	
PACKARD				
1955	8	Custom Clipper model number 5560 and 5580 with Delco distributor number 1110854	1189	
1954-40	8	282, 288, 327 engine with Autolite distributor number ICP- 4502 B	1585	
1950-40	8	356 cid. engine with Autolite distributor number IGT- 4203	1586	
PANTERA				
1972-71	8	All with single point Motorcraft distributor	1281	91281
PLYMOUTH				
1981-73	6	All with Chrysler electronic ignition (excluding Lean Burn distributor)	CH-161	9CH-161
1981-72	8	All with Chrysler electronic ignition (excluding Lean Burn distributor)	CH-181	9CH-181
1981	4	1400cc, 1600cc (Canada model)	1741	
1980	4	1400cc, 1600cc, (excluding California model)	1741	
1979-76	4	All	1942	91942
1972-60	6	All with single point Chrysler distributor	1361A	91361A
1972-59	8	All with single point Chrysler distributor	1381A	91381A
1971-59	8	383, 413, 426, 440 cid. engine with dual point distributor (Hemi Included)	1382	
1973-68	8	340 six pack engine	1384	
PONTIAC				
1963-62	4	All	1144A	91144A
1974-62	6	All	1162A	91162A
1974-57	8	All	1181	91181
		Lobe sensor version	1181LSCC	
1956-55	8	All (mechanical advance under breakerplate)	1188	
		Lobe sensor version	1187LSCC	
PORSCHE				
1977-76	4	924 with distributor number 0-231-170-202, 0-231-176-064	1847V	
1976	4	912E	1847V	
1975-74	4	914 1.8, 2.0 litre	1847V	
1974-73	4	914 1.7 litre	1847V	
1972	4	914 Coupe (411 E engine)	1847V	
1967	4	912 with distributor number 0-231-129-022	1844	
1973-72	6	911T	1863	
1974	6	911	1867	91867
1977-74	6	911S	1867	91867
1969-68	6	912	1863	
ROLLS ROYCE				
1925-24	6	Phantom with Lucas distributor number D505	RR-164	
ALL	6	With Delco dual point distributor number PO-6 (three lobe point cam)	RR-162	9RR-162
ALL	6	With Delco distributor number PR-6N	RR-161	
ALL	8	With Lucas 20D8 series distributor	RR-181	
ALL	8	With Delco distributor number DR-8N	RR-182	
SAAB				
1974-70	4	99E, EA, EMS with distributor number 0-231-163-007, 0-231-163-025	1847V	
1974-72	4	Sonet III	1847V	
1972-63	4	Sonet	1847V	

IGNITOR / IGNITOR II AUTOMOTIVE APPLICATIONS



Year	Cyl	Make / Model	Ignitor	Ignitor II
STUDEBAKER				
1966-65	6	194, 230 engine with Delco distributor	1162A	91162A
ALL	6	All with Autolite distributor number IAT 4010	1569	
1966-65	8	All with Delco distributor	1181	91181
1961-60	8	Lark & Regal with Delco distributor	1181	91181
ALL	8	All with Autolite distributor number IBS 4012 8T	1584	
SUBARU				
1976-75	4	DL (1400cc)	1741	
1975	4	DL, GL	1741	
1973-69	4	1000, 1100, 1300G	1741	
SUNBEAM-TALBOT				
1956-53	4	90	LU-241	
TOYOTA				
1977-75	4	Celica, Corona	1641	91641
1976-71	4	Corolla 1200	1641	91641
1976-75	4	Corolla 1600 with single point distributor	1641	91641
1974-72	4	Carina, Celica, Corolla 1600, Corona	1641	91641
1972	4	Corona MK II	1641	91641
1971	4	Corolla 1600	1641	91641
1973-70	6	Landcruiser	1665	91665
1974	6	Landcruiser (excluding California model)	1665	91665
TRIUMPH				
1979-75	4	Spitfire with Lucas electronic ignition	LU-141	9LU-141
1979-75	4	TR7 with Lucas electronic ignition	LU-141	9LU-141
ALL	4	TR7 with Delco distributor number D302-7992715 (Lobe Sensor Version)	1148LSCC	
1975-63	4	Spitfire with Delco distributor number 7953460	1149C	
VOLKSWAGEN				
1979-71	4	Beetle, Karmann Ghia (Type I)	1847V	
1970-68	4	Beetle, Karmann Ghia (Type I) with manual transmission	1841	
1970-68	4	Beetle, Karmann Ghia (Type I) with automatic transmission	1842A	
1967-65	4	Beetle, Karmann Ghia (Type I)	1849	
1979-75	4	Dasher, Rabbit, Scirocco	1847V	
1980	4	Dasher, Jetta, Rabbit, Scirocco (excluding California model)	1847V	
1983-80	4	Vanagon (excluding California model)	1847V	
1979	4	Bus (Type II) excluding California model	1847V	
1978-75	4	Bus (Type II)	1847V	
1974	4	Bus (Type II) California model	1847V	
1974	4	Bus (Type II) excluding California model	1842A	
1973-71	4	Bus (Type II)	1842A	
1970-68	4	Bus (Type II)	1841	
1967-64	4	Bus (Type II)	1849	
1973-68	4	Squareback, Fastback (Type III)	1842A	
1967-66	4	Squareback, Fastback (Type III)	1849	
1973-71	4	411 (Type IV)	1847V	
1974	4	412 (Type IV)	1847V	
1975-73	4	The Thing	1847V	
ALL	4	Aftermarket 009, 050 distributor	1847A	91847A
VOLVO				
1968-66	4	122 Series	2844	
1974-69	4	140 Series	1847V	
1968-67	4	140 Series	2844	
1973-69	4	1800 Series	1847V	
1968-66	4	1800S	2844	
1983-82	4	240 Series (Canada model)	1847V	
WOLSELEY				
1962-58	4	Fifteen Hundred	LU-142A	

IGNITOR / IGNITOR II AUTOMOTIVE BY DISTRIBUTOR



Distributor Number / Type	Cyl	Rotation	Ignitor	Ignitor II
ACCEL				
34000 Series	.8	CW	AC-181	9AC-181
34000 Series with vacuum advance	.8	CW	AC-181V	9AC-181V
37000 Series (excluding tach drive distributor)	.8	CW	AC-182	
BOSCH				
VJ 3BR 4	.3	-----	1831	
VJ 3BR 2T	.3	-----	1832	
0-231-186-023, 0-231-146-077	.4	CCW	1843	
0-231-178-009	.4	-----	1847A	91847A
9-230-081-050	.4	-----	1847A	91847A
0-231-146-026	.4	CCW	1848	
JFU4 (Bosch) 22100B03G0 (Nissan)	.4	CCW	2841	
0-231-178-006	.4	-----	2845	
VJU 4BL 33	.4	-----	2846	
0-231-308-009	.6	CW	1862	
0 231 184 001	.6	CW	1867	91867
0 231 305 059 (ID 49X)	.6	CW	1868	91868
0 231 305 091	.6	CW	1869	91869
0-231-127-005	.8	CW	1888	
MANUFACTURED IN AUSTRALIA				
9-230-062-653 (Motorcraft), 9-230-062-663 (Holden)	.6	CW	1865	91865
9-230-063-851 (Holden)	.8	CW	1885	91885
9-230-063-856 (Motorcraft)	.8	CCW	1886	91886
DELCO				
D200 7952800 (made in England)	.4	CCW	1149	
D200 7953166 (made in England)	.4	CCW	1149C	
D204 7992101 (made in England)	.6	CCW	1169	
DUCELLIER				
4155D, R251C34	.4	CW	EP-141	
R275 E3A	.4	CW	DU-141	
525294A	.4	CCW	EP-142	
FORD				
721F AHA 5JD	.4	CCW	1241	91241
HITACHI				
D4B 880-01 (Mexico)	.4	CCW	1742LSCC	
LUCAS				
23D/25D, DM2 (40743A) with vacuum advance	.4	CCW	LU-142A	
43D4/44D4/45D4 with red "fixed" points	.4	CCW	LU-143	9LU-143
43D4/44D4/45D4 with blue "sliding" points and vacuum advance	.4	CCW	LU-144	9LU-144
DM2 (40600H)	.4	CCW	LU-149	
23D/25D with vacuum advance	.6	CCW	LU-162A	
43D4/44D4/45D4	.6	CCW	LU-163	9LU-163
43D4/44D4/45D4 with vacuum advance	.6	CCW	LU-164	9LU-164
22D	.6	CCW	LU-166A	
35D8 (41382F with vacuum advance)	.8	CW	LU-181	9LU-181
35D8 (41277B with vacuum retard)	.8	CW	LU-183	
35D8 (41500A with vacuum retard)	.8	CCW	LU-185	
40068F dual point with vacuum advance	.8	CCW	LU-186	
FACTORY EQUIPPED ELECTRONIC DISTRIBUTORS				
45DE4, 47DE4 electronics on distributor	.4	-----	LU-141	9LU-141
45DM4 & 47DM4 electronics on fender well	.4	CCW	LU-147	
45DM6	.6	CCW	LU-167	
35DLM8 (42648A)	.8	CW	LU-182	
35DM8 (42600A)	.8	CW	LU-184	
36DM12 (See note B)	.12	CCW	LU-1121	
MALLORY				
23, 24, YL Dual point non vacuum	.4	Both	ML-141	9ML-141
23, 24, YL Dual point non vacuum	.6	Both	ML-161	9ML-161
23, 24, 25, 26, YL Dual point non vacuum	.8	Both	ML-181	9ML-181
27 Series Dual Point vacuum advance (YT advance) (See note A)	.8	Both	ML-186	9ML-186
27 Series Dual Point vacuum advance (YL advance)	.8	Both	ML-188	9ML-188
37 Series Unilite non vacuum advance (YT advance) (See note A)	.8	Both	ML-183	9ML-183
47 Series Unilite with vacuum advance (YT advance) (See note A)	.8	CW	ML-184	9ML-184
47 Series Unilite with vacuum advance (YT advance) (See note A)	.8	CCW	ML-185	9ML-185
YC Series distributor # YC-365-HP	.8	CW	ML-187	9ML-187

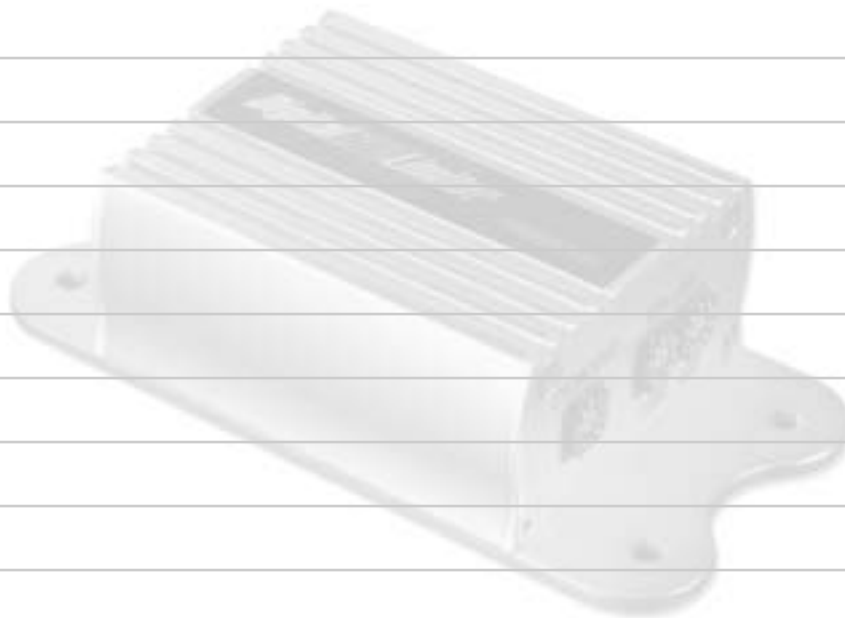
IGNITOR / IGNITOR II AUTOMOTIVE BY DISTRIBUTOR



Distributor Number / Type	Cyl	Rotation	Ignitor	Ignitor II
MARELLI				
S144TX(9A)4	-----	MR-141	
S155P-422R1 422P-1-2N4	CW	MR-142	
MITSUBISHI				
T3T078724	CW	1946	91946
T3T071924	CW	1947	
T1T123714	CW	1948	
T0T00471, 22100 03510 (Nissan)6	CCW	1762	
T0T 00471 Lobe Sensor Version6	CCW	1762LSCC	
NIPPONDENSO				
33100-78410, 029100-72703	CW	1632	91632
229100-3130 (Denso), MD100991 (Mitsubishi)4	CW	1645	
19100-61130 029100-68516	CW	1662	91662
19100-60061 029100-12316	CW	1661	91661
AUTOLITE / PRESTOLITE				
IGW-4113, IGW-41466	-----	1568	



NOTES

- A. This kit is designed for the newer style distributors that are equipped with the YT series advance mechanism. An alpha character following the seven-digit numeric part number designates the YT series distributors. This kit will not fit distributors equipped with YL series advance mechanisms.
- B. Minimum order quantity required.



IGNITOR / IGNITOR II TRUCK / BUS APPLICATIONS

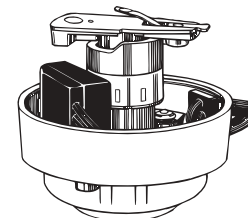


Year	Cyl	Make / Model / Distributor	Ignitor	Ignitor II
AUTOCAR				
1953-47	6	All with Autolite IAD series distributor	1561	91561
BROCKWAY				
1971-50	6	All with Autolite IAD or IGC series distributor	1561	91561
1966-52	6	All with Delco non vacuum advance distributor and screw down cap	1163A	91163A
CHEVROLET				
1965-63	4	153 cid. engine with Delco vacuum advance distributor and screw down cap	1144A	91144A
1975-63	6	194, 230, 250, 292 (excluding electronic ignition models)	1162A	91162A
1976-56	8	All with single or dual point distributor (mechanical advance at top of shaft) Lobe sensor version	1181 1181LSC	91181
DODGE				
1973-61	6	All with single point Chrysler distributor	1361A	91361A
1981-73	6	All with Chrysler electronic ignition (excluding Lean Burn distributor)	CH-161	9CH-161
1981-73	8	All with Chrysler electronic ignition (excluding Lean Burn distributor)	CH-181	9CH-181
1980-79	8	446 cid. engine with Prestolite electronic ignition with vacuum advance	1484A	91484A
1973-69	8	All with Holley distributor	1481	91481
1973-62	8	All with single point Chrysler distributor	1381A	91381A
1971-59	8	383, 413, 426, 440 cid. engine with dual point distributor (Hemi Included)	1382	
FORD				
1977-75	6	300 cid. engine (excluding distributor # D5TE-12127VA) (see illustration below)	1261	91261
1977-75	6	300 cid. engine with distributor # D5TE-12127VA	1262	91262
1974-70	6	All (See illustration below)	1261	91261
1969-65	6	170, 240, 300 cid. engine (See illustration below)	1261	91261
1967-59	6	170, 240, 300 cid. engine (excluding smog pump equipped) (See illustration below)	1266	91266
1976-74	8	All with small cap Motorcraft electronic ignition	FO-181	9FO-181
1983-77	8	All with large cap Motorcraft electronic ignition	FO-182	9FO-182
1978-58	8	All (excluding '58 & '59 272 engine)	1281	91281
 Overhead view of 1266 application shaft  Overhead view of 1261 application shaft				
GMC COACH				
1969-65	6	305-C, 351, 401, 478 cid V6 engine	1162A	91162A
GMC				
1966-63	4	153 cid. engine	1144A	91144A
1974-65	6	V6 engine	1162A	91162A
1964-60	6	305-C, 351, 401, 478 cid V6 engine	1164	91164
1964-63	6	All (excluding 305-C, 351, 401, 478 cid V6 engine)	1162A	91162A
1976-58	8	All Lobe sensor version	1181 1181LSC	91181
INTERNATIONAL HARVESTER				
Delco Standard Ignition				
1974-71	6	258 cid. engine	1162A	91162A
1971-69	6	406, 450, 501 cid. engine (excluding electronic ignition models)	1162A	91162A
1970-67	6	220, 241, 265, 282, 308 cid. engine	1162A	91162A
1974	8	400 cid. engine	1181	91181
1964-59	8	266, 304, 345 cid. engine	1181	91181
IHC or Holley Standard Ignition				
1978-71	8	All	1481	91481
1971-68	8	266, 304 cid. engine	1481	91481
1970-64	8	478, 549 cid engine counter clockwise rotation	1482	91482
1970-64	8	478, 549 cid engine clockwise rotation	1481	91481
Prestolite Electronic Ignition				
1983-74	8	304, 345, 392 cid. engine with vacuum advance	1483A	
1983-74	8	304, 345, 392 cid. engine non vacuum advance	1485A	
1983-74	8	404, 446 cid. engine with vacuum advance	1484A	
Prestolite Standard Ignition				
1983-64	8	266, 304, 345, 392 cid engines with vacuum advance	1483A	
1983-64	8	266, 304, 345, 392 cid engines non vacuum advance	1485A	
REO				
1977-66	8	OV-235, B engine with distributor #D4292A, -1A, AAS	1481	91481
1971-66	8	130B, 145B, engine with distributor # D-4141A	1481	91481
1966-54	8	OV-195, 207, 235, 390, 440 engines with Delco distributor # 1111660, 1111661)	1181	91181
WHITE				
1969-66	8	470 cid. engine with distributor # D-4108A	1481	91481

HOW TO USE THIS GUIDE

PerTronix has gone to great effort to insure the accuracy of this guide. The following pages represent the most common makes and models of each application. To insure that the right part number is selected use these general guidelines:

- Unless otherwise noted, part numbers listed represent 12-volt negative ground kits.
- Applications are based on the vehicle's original distributor.
- Some kits are also available for 6 volt negative ground systems as well as 6 and 12 volt positive ground.
A N6, P6 or P12 prefix is attached to these part numbers. See page 28 for kits available in these variations.
- A "9" prefix indicates an Ignitor II version.
- An "LS" suffix indicates a Lobe Sensor version. Lobe sensor technology senses the point cam, and does not use a magnet sleeve.
- Additional applications by the distributor number are listed on page 19.
- Turn to page 34 and 35 for compatible coils and coil selection guide.



Year	Cyl	Make / Model / Distributor	PerTronix Electronic Distributor	Ignitor	Ignitor II
ALLIS CHALMERS					
1982-75	4	Continental F163 engines / IBT-4701C	D41-05A	1542	91542
1976	4	Continental F163 engines with electronic ignition / IDJ-4008		1543	91543
1974	4	AC-C35, 40, 45, 50, 55; AC-P40, 50 / 1112460		1146A	91146A
1974-71	4	G138, 160, 226 / 1112688		1146A	91146A
1973	4	AC-C20, 25, 30, 35, 40, 45, 50, 55; AC-P20, 25, 30; FP-40, 55; Model 500 1112460, 86		1146A	91146A
		1112490		1145A	91145A
1972-69	4	FP-20, 30; FT20, 25; FTB30-24 1112486		1146A	91146A
		1112455		1145A	91145A
1972	4	Model 600 / 1112490		1145A	91145A
1972-69	4	F30, 40, 50; FP40, 50 / 1112460		1146A	91146A
1968-65	4	H4 Crawler Tractor / 1112665		1145A	91145A
1958-57	4	4B-153, 4B-182 / IAD-6003-1A		1541	91541
1982-75	6	All Continental F Series / IBT-6705, IBT-6701D		1562	91562
1974	6	AC-C20, 25, 30; AC-P20, 25, 30 / 1112635		1163A	91163A
1974	6	AC-C60, 60C, 70, 70C, 80, 100, 100C, 120; AC-P60, 70, 80, 100, 120, 140 1112461		1163A	91163A
1974-69	6	G262 / 1112461		1163A	91163A
1973	6	AC-C60C, 70C, 100C; AC-G60, 70, 80, 100, 120; AC-P60, 70, 80, 100, 120, 140 1112461		1163A	91163A
1973-69	6	F60, 70, 80, 100, 120; FP60, 70, 80 / 1112461		1163A	91163A
1969-67	6	TL545 Tractor Loader / 1112668, 1111311		1163A	91163A
1958-57	6	6B-230, 6B-273 / IAD-6001-1B		1561	91561
BAKER					
1982-63	4	Continental F163 engines / IBT-4701A, IBT-4701B, IBT-4701C		1542	91542
1966-61	4	Hercules IXLB engines / IAD-6003B		1541	91541
1981-72	6	Continental F226, F245 engines / IBT-6701D		1562	91562
1962-60	6	Type Me-1A Towing Tractor with Chrysler 30-1367-1 engine / IAD-4039-1		1561	91561
BAY CITY (CRANE)					
ALL	6	15, 15A; 25, 30, 37, 45, T185, T50, T150, T180, T450 IGC-6001, IGC-6001C, IGC-6001G, IAD-6001, IAD-6001C, IAD-6001E		1561	91561
BUDA					
ENGINE					
1972-51	4	4B-153, 182 / IAD-6003-1A		1541	91541
1973-50	6	K-325, 369, 393, 428; L-468, 525; Lo-525; H-260, 298; HP-260, 298, 326, 351 IGC-6001A, IGC-6001B		1561	91561
1972-50	6	6B-190, 205, 221, 225, 230 / IAD-6001-1B		1561	91561
TRUCKS					
1956-51	4	FB / IGW-4118A		1545	
1953-52	4	FT-30, 40, 50, 60, TG / IAD-6003-1A		1541	91541
1954-53	6	FT-60, 75; HA, HB, JG / IAD-6001-1B		1561	91561
CASE					
ALL	4	1737S Loader with electronic ignition / IDD-4104		1543	91543
ALL	4	148 gas engine / IAD-6003-2K		1541	91541
ALL	4	Utility 435-LCK, (Own G188); 480CK / IAD-6003-2J		1541	91541
ALL	4	Lift Truck 580CK, (Own G159); Utility 500, 535, CLK; P-50 Hydra Place (Own G188) IAD-6003-2F		1541	91541
ALL	4	W5AG (188 engine); 480CK, 580CK, (G-148, 159) / IBT-4403A		1542	91542

IGNITOR / IGNITOR II INDUSTRIAL APPLICATIONS

PerTronix
Electronic
Distributor

Ignitor Ignitor II



Year	Cyl	Make / Model / Distributor	PerTronix Electronic Distributor	Ignitor	Ignitor II
CASE (CONTINUED)					
ALL	4	Utility 680CK, (Own A267); A-267; A-284G Power Unit, (Own A284) IBT-4404, IBT-4404A		1542	91542
ALL	4	5400C Airport Tractor / IBT-4402A		1542	91542
ALL	4	W7, W9AG Loaders (A284 engine) / IBT-4402		1542	91542
ALL	4	SK1D (Gas, LPG) / IAD-6003-1B		1541	91541
ALL	4	319 Power Unit / IAD-6003-2J		1541	91541
ALL	4	Lift Trucks (Own VA 339) / IAD-6003-2F		1541	91541
CATERPILLAR					
1980-76	4	Industrial engine / IBT-4701A, IBT-4701C		1542	91542
1979	6	Lift Truck / IDJ-4014	D61-06A	1562	91562
1980-79	8	Lift Truck (IHC-V345 engine) / IDN-4102B		1485A	
1977	6	Industrial engine / IBT-6702	D61-06A	1562	91562
CHICAGO PNEUMATIC TOOL CO.					
1973-61	4	85RJ-1 / IBT-4705	D41-05A	1542	91542
1973-59	4	85RG-2 (Continental F162 engine) / IAD-6004-1C		1541	91541
1972-55	4	125RG-2 / IAD-4037		1541	91541
1971-58	4	125RG-1; 125RG-2 (Hercules G-2000 engine) / IAD-4043		1541	91541
1963-55	4	75PG-20 / IAD-6003B		1541	91541
1973-61	6	85RJ-1 / IAD-6001E		1561	91561
1965-55	6	210RG-2 / IAD-6001E		1561	91561
CHRYSLER					
ALL	6	5A, 6A IAD-4039-1, IAD-4201-1, IAO-4109-1M, IAO-4109-12M		1561	91561
		IAT-4011, IAT-4101B, IAT-4101C		1562	91562
ALL	6	7A, 8A IAD-4040-1, IAO-4101-1M, IAD-4105-1M, IAD-4108-1M, IAD-4113M-1M, IAD-4114M		1561	91561
ALL	6	13, 13A / IAO-4103A-1		1561	91561
ALL	6	14A, 15A, 22A IAO-4116-1, IAO-4115-1M, IAD-4040-1, IAO-4103-1, IAO-4115-1M, IAO-4116-1		1561	91561
ALL	6	16A / IAD-4039, IAD-4040-1		1561	91561
ALL	6	32, 33, 908A / IAO-4113-1M, IAD-4040-1		1561	91561
ALL	6	931 / IAD-4039-1, IAO-4112M		1561	91561
ALL	6	H-170; H-225, 236, 251, 265, 313 / IBR-4202, IBR-4202S		1562	91562
ALL	6	H-225 / 2098513, 2095974, 2098670, 2444255, 2444671		1361A	91361A
ALL	8	H, HB, HT-318, HT-361, 413, 475, 476 2098507, 509, 674, 836, 851, 853; 2444263, 274, 275, 291, 292, 295, 399, 867		1381A	91381A
ALL	8	M273, ML318, ML340 / IBM-7004B		1581	91581
CLARK					
1982	4	D176 (Waukesha engine) / IDU-4403, IDU-4403A	D41-01A	1543	91543
1982	4	F163 TCM engine / IDU-4404		1543	91543
1983-77	4	(Prestolite distributor) / IBT-4706	D41-05A	1542	91542
1978-77	4	Clarkat; IT40B / 1112673	D41-05A	1145A	91145A
1978-75	4	C500-30, 35, 40, 45, 50, 55; C-500H-40, 45, 50, 55; Y-40, 45, 50, 55 / 1111700	D41-01A	1146A	91146A
1978-72	4	C500-20, 20P, 25, 25P; C-500F-20P, 25P; C-500Y-20, 25, 30 1112673	D41-05A	1145A	91145A
		IBT-4105, IBT-4105A	D41-01A	1543	91543
1978-72	4	C-500YF-20, 25, 30; IT-40B, Clarkat 1112673	D41-05A	1145A	91145A
		IBT-4105, IBT-4105A	D41-01A	1543	91543
1982	6	F227 TCM engine / IDU-4602		1562	91562
1983-77	6	(Prestolite distributor) / IBT-6703	D61-06A	1562	91562
1978-72	6	C-500H-60, 70, 80; C500-100, 200; C-500Y-100, 130, 150; Ranger 40, 60 1112672	D61-06A	1163A	91163A
1978-67	4	C-500-30, 35, 40, 45, 50, 55; C-500H-40, 45, 55; Y-40, 45, 50, 55 / 1112685	D41-01A	1146A	91146A
1971	4	C-20, 25; CF-20, 25; CY-20; CFY-20 / 1112673	D41-05A	1145A	91145A
1971-69	4	Clarkette; IT-30, 40 / 1112673	D41-05A	1145A	91145A
1970-67	4	C-20, 20SU, 30B, 40B, 50B; CF-20, 30B, 40B, 50B; CY-20, 25, 30B, 40B, 50B 1112673	D41-05A	1145A	91145A
1966	4	C-20, 30, 40, 50; CF-20, 30, 40, 50; Clarkette, Towtractor / 1112673	D41-05A	1145A	91145A
1965-64	4	C-20, 20P, 20SU, 25, 25SU, 30, 40; CF-20, 25; CY-20, 30 / 1112637	D41-05A	1145A	91145A
1971-66	6	C-100, 120; CY-100, 120; Ranger 40, 60 / 1112672	D61-06A	1163A	91163A
1970-66	6	C60, 70, 80; CF-60, 70, 80; CH-60, 70, 80; CY-60, 70, 80, / 1112672	D61-06A	1163A	91163A
1969-67	6	IT-60 / 1112672	D61-06A	1163A	91163A
1966	6	CT-20, 30, 40, 50; UT- 60, 70, 80, 100; HUT-60, 70, 80, 100; Y60, 100 1112672	D61-06A	1163A	91163A
1966-56	6	(Prestolite distributor) / IAD-6001D		1561	91561
1965-64	6	C-60; CY-60; CFY-60 / 1112628	D61-06A	1163A	91163A

IGNITOR / IGNITOR II INDUSTRIAL APPLICATIONS

PerTronix
Electronic
Distributor



Year	Cyl	Make / Model / Distributor		Ignitor	Ignitor II
CLIMAX					
ALL	4	FM1, 3 engine / IGW-4120		1545	
ALL	4	(Hercules NX engine) / IGW-4122		1545	
ALL	4	(Waukesha ICK engine) / IGW-4118		1545	
CONTINENTAL					
ALL	4	F-163 engine / IDJ-4008		1543	91543
ALL	4	Misc. Industrial engines			
		IBT-4501B	D41-05A	1542	91542
		IBT-4701C		1542	91542
ALL	4	F4 engine			
		IAD-4018, A; IAD-4029, A-1; IAD-6004-1, 1B, 1C, 1D, 2D,	D41-05A	1541	91541
		IBT-4501A, IBT-4701A, IBT-4701C		1542	91542
		IGW-4139, IGW-4139C	D41-05A	1545	
		1111356, 1112637, 1112635, 1112789	D41-05A	1145A	91145A
ALL	4	G, H, J, N engines			
		IAD-6004-2D, IAD-6004-2E; IAD- 4028A, IAD-6003-2A		1541	91541
ALL	4	Y engines			
		IAD-4029, A-1, IAD-6003-2A, IAD-6003-2H, IAD-6004-1D, IAD-6011-1A	D41-05A	1541	91541
		IGW-4044A; IGW-4139, C; IGW-4156A, C, D	D41-05A	1545	
ALL	6	B, E engines IAD-6002-1A, -1E		1561	91561
ALL	6	F6 engine			
		1111310, 1112628, 1112636, 1112788	D61-06A	1163A	91163A
		IAD-4204A, B; IAD-6002-1A, 1F, 1G; IAD-6006-1	D61-06A	1561	91561
		IBT-6501C, IBT-6701C, IBT-6702, A	D61-06A	1562	91562
ALL	6	K engine / IAD-6001, 2F, 2RL; IAD-6009-2A		1561	91561
ALL	6	M engine			
		IAD-6002-1A, -1F, -1G	D61-06A	1561	91561
		IBT-6501B, IBT-6701B		1562	91562
ALL	6	R, S, T, U engine			
		IAD-4025, A, IAD-6001-2D, -2F, IAD-6002-1A, 1K, IAD-6009-2A		1561	91561
CROSLLEY					
ALL	4	Own CD engine			
		IAD-4038		1541	91541
		IGW-4181C		1545	
DATSUN / NISSAN					
ALL	4	D-11 engine		1741	
ALL	4	H-20 engine			
		(Hitachi distributor)		1741	
		(Mitsubishi distributor)		1943	91943
ALL	6	H-30 engine (Hitachi distributor)		1761	
ALL	6	P-40 engine (Hitachi distributor)		1761	
JOHN DEERE					
1972-71	4	500C, 3020 Series Tractor / 1112474		1145A	91145A
1970-62	4	500, 3020 Series Tractor / 1112648		1145A	91145A
1972-71	6	420 / 1112466		1163A	91163A
1970-62	6	600, 4020 Series Tractor / 1112624		1163A	91163A
DUPLEX					
ALL	6	Shovel Chassis, Wagon Crane, (B-6427, F6244 engine) / IAD-6002-1F	D61-06A	1561	91561
DYNA-TRUCK					
1971	6	Dyna Mite 6-232, 258 / 1110340, 497		1162A	91162A
EARTH MASTER					
ALL	4	C, CH, CN, CNH, D, DH / IAD-6003-2A		1541	91541
EARTHMOVING EQUIPMENT					
1969-67	8	(Delco distributor) / 1112744		1181	91181
EATON, YALE, TOWNE					
1981-76	4	Mazda engine IDJ-4010		1543	91543
ALL	6	Chrysler engine / IAD-4039-1		1561	91561
1979-77	6	225 Chrysler engine / IDJ-4011		1562	91562
ALL	4	F-124 Continental engine			
		IAD-4029, IAD-4043, IAD-6004-1B, 1C		1541	91541
1977-76	4	F-163 Continental engine / IDJ-4008		1543	91543
1982-75	4	GC, GP 20-30 (Mazda engine) / 9022313-00		MA-141	
1975-68	4	JX4D Hercules engine / IAD-4037		1541	91541
1966-65	4	GLF, GLFP, GLFW, GLT / 1112637	D41-05A	1145A	91145A
1963	4	(Prestolite distributor) / IAD-4043		1541	91541

IGNITOR / IGNITOR II INDUSTRIAL APPLICATIONS

PerTronix
Electronic
Distributor



Year	Cyl	Make / Model / Distributor		Ignitor	Ignitor II
EATON, YALE, TOWNE (CONTINUED)					
1962-55	4	F-162 Continental engine / IAD-6004-1D		1541	91541
1960-55	6	(Prestolite distributor) / IAD-4039-1		1561	91561
1969	6	Lift Truck / IBD-4009UT		1562	91562
ELGIN SWEEPER					
1970-65	8	Pelican, White Wing, Fleet Wing / 1112744		1181	91181
1969-63	8	H Street King / 1112744		1181	91181
ERICKSON					
ALL	4	Loader HL3030, LC4D-G / IAD-6004-2N	D41-09B	1541	91541
ALL	4	61, 200 / IAD-6004-2F	D41-09B	1541	91541
FAGEOL PRODUCTS					
ALL	4	Crosley engine / IGW-4181C, IGW-4401		1545	
FAIRMONT RAILWAY PRODUCTS					
ALL	4	A5, A7A Gang Car / IGW-4118A		1545	
ALL	4	Waukesha, ICK; (Hercules ZXB engine) / IGW-4301		1545	
FATE ROOT HEATH (SILVER KING)					
ALL	4	440 (IXB-3 engine) / IGW-4120-1		1545	
FORD					
1986	8	460 engine with large cap Motorcraft electronic ignition / E3TZ-12127-BAA		FO-182	9FO-182
1979-76	8	534 engine with small cap Motorcraft electronic ignition/ D6HZ-12127-E		FO-181	9FO-181
	4	172 & 192 engine / 311185		1244A	
1984-68	6	200 engine / D3JF-12127-BA		1261	91261
1984	6	300 engine / E4JE-12127-BA		1263	91263
J.A. FREEMAN					
1973-59	4	25A, 25AW, 25ACWT, 26, 28; 100T, 100W, 200T, 200W, 300T, 300W, 330W IAD-6004-2F, IAD-6004-2N	D41-09B	1541	91541
FRIGIDKING					
1965	4	Waukesha 1CK engine / IAD-6004A		1541	91541
GALION IRON WORKS					
ALL	4	3-5 Ton Roller / IGW-4159A		1545	
ALL	6	5-8 Ton Roller / IAD-6002-1F	D61-06A	1561	91561
GAMBLES FARMCREST					
ALL	4	20, 30 / IAD-6002-1A, IAD-6003-1A, IAD-6004-1C		1541	91541
ALL	6	40 / IAD-6001-1B		1561	91561
HARRIS					
ALL	6	PH-43, PH-53 (5A, 8A engine) / IAD-4039-1, IAD-4040-1		1561	91561
ALL	6	SPH-88, F6WC, F8, F8WC / IAD-4025, IAD-6001E		1561	91561
HERCULES ENGINE					
ALL	4	G1400, 1600 (gas engine) / IAD-6013		1541	91541
ALL	4	G1600 / IBT-4405		1542	91542
ALL	4	G, GO, IX, IXB, JX, ZX, ZXA, ZXB, CU4-180, 00 / (IAD- series distributor)		1541	91541
ALL	4	IX, ZX Series IGW-4164, IGW-4120, IGW-4120B, IGW-4120B-2, C, C-1, IGW-4122A, 57, A		1545	
HI-DYNAMIC					
1972-71	6	250C Crane / 1112682		1163A	91163A
ALL	4	HA (Waukesha FC engine) / IGW-4301		1545	
ALL	4	P-40 Platform Truck / IAD-6004-2A		1541	91541
ALL	6	HF-HM (4WD Shovel), HMG, HR, HV (JXD, QXD-3, QXLD-3 engine) IAD-6001D, IAD-6001E		1561	91561
HYSTER					
ALL	4	450XL / (Hyster distributor 326835)		MA-141	
1983-79	4	Misc. Models / IBT-4707		1542	91542
1979-78	4	Misc. Models / IBT-4705	D41-05A	1542	91542
1978-72	4	Challenger H-20, 25, 30, 60, 70, Spacesaver S-20, 25, 30, 40, 50 Lift Truck 1112673, 1112443	D41-05A	1145A	91145A
1969-67	4	Spacesaver S-30B, 40B, 50B Lift Truck 1112627		1146A	91146A
		1112635		1145A	91145A
1969-67	4	Spacesaver S-40C, 50C Lift Truck / 1112677		1145A	91145A
1969-67	4	Challenger H40F, 50F, Lift Truck / 1112443	D41-05A	1145A	91145A

IGNITOR / IGNITOR II INDUSTRIAL APPLICATIONS

PerTronix
Electronic
Distributor



Year	Cyl	Make / Model / Distributor	PerTronix Electronic Distributor	Ignitor	Ignitor II
HYSTER (CONTINUED)					
1966-65	4	Lift Truck 1112637	D41-05A	1145A	91145A
		1112666		1145A	91145A
1983-79	6	Misc. Models / IBT-6704		1562	91562
1979-78	6	Misc. Models / IBT-6702	D61-06A	1562	91562
1978-72	6	Lift Truck / 1110493, 1110471, 1110478, 1112672	D61-06A	1163A	91163A
1969-67	6	Lift Truck / 1112673, 1110317, 1110359, 1112672	D61-06A	1163A	91163A
1966-65	6	Straddle Truck & Lift Truck / 1110317		1163A	91163A
1966-63	6	Straddle Truck & Lift Truck / 1110262		1164	91164
1962	6	Challenger H250A Lift Truck / 1110262		1164	91164
JAEGER					
ALL	4	75, 85 Compressors; 2HM Mixer (IAD- series distributors excluding IAD-4036A) ...		1542	91542
ALL	4	60 Compressor / IGW-4156D		1545	
ALL	6	105, 125, 125A, 125B, 150, 160, 185, 250 "Air Plus"; 3HM, 4 1/2 HM Mixers (IAD- series distributors excluding IAD-4036A)		1561	91561
ALL	6	315 (IAD- series distributors excluding IAD-4036A)		1561	91561
JEEP INDUSTRIAL					
ALL	6	232 engine / 1110340, 1110366, 1110444		1162A	91162A
ALL	6	225 engine / 1110342, 1110376		1165	
KAISER JEEP					
ALL	4	FJ, F4-134, L4-134 / IAD-4008A, IAD-4041		1541	91541
KOMATSU					
Prior 1990	4	Nissan engines / (Hitachi distributor)		1741	
Since 1990	4	Nissan engines / (Mitsubishi distributor)		1943	91943
ALL	4	Hercules 1600 engine / (Prestolite distributor)		1543	91543
ALL	6	P-40 engine / (Hitachi distributor)		1761	
LE ROI					
ALL	4	D-71, K-3, W, X, V, Y / (IGW- series distributors)		1545	
ALL	4	D-133, D-140, V, W, W-3, X, Y / IGW-4121A		1545	
LINCOLN WELDERS					
1982-78	4	(Prestolite distributor) / IBT-4705	D41-05A	1542	91542
1966-62	6	Hercules JXD, QXLD-5 engine / IGC-6001-2D		1561	91561
LYCOMING SPENCER ENGINES					
ALL	4	CV-4-180 / IAD-6004-1G		1541	91541
MASSEY FERGUSON					
1978-71	4	MF-30 Tractor / 1112458		1145A	91145A
1978-74	4	MF-4000, MF-4500, MF6000 / 1112693		1145A	91145A
1969	4	MF-3165 Tractor / 1112458		1145A	91145A
1968-66	4	MF-302, 304, 356, 2135, 2200, 2500, 3165 Tractor & Lift Truck / 1112643		1145A	91145A
1964-63	4	MF-202, 204, 356 Tractor / 1112643		1145A	91145A
1959-56	4	MHF-3, 4 / IAD-6004-2H		1541	91541
ALL	4	MF302, 304, 356 (Continental GF-193 engine) / 1112644		1145A	91145A
ALL	4	MF2135, MF2200, MF2500 (Continental GT193, Z-134 engine)		1145A	91145A
ALL	6	MF1100, MF1105 (Waukesha F320G, LPG)		1163A	91163A
MICHIGAN					
ALL	6	C16, C24, T6K, T64, T66, TLDT-20, TMDT-16, -20		1561	91561
MINNEAPOLIS-MOLINE					
1978-62	4	MA-30, MA-40, MA-50 Lift Truck / IBT-4702		1542	91542
1972-68	4	MA-20, MA-25, WC-20, WC-25, WC-305 Lift Truck / IGW-4303		1545	
1971-69	4	HD-220-4A Power Unit / 1112642		1145A	91145A
1971-65	4	HD-336A-4A Power Unit / 1112660, 1112661		1146A	91146A
1968-66	4	MY-40, MY-60 Lift Truck / 1112642, 1112671		1145A	91145A
1966-65	4	HD-220-4A Power Unit / 1112671		1145A	91145A
1966-50	4	B (Continental Y-112 engine) / IGW-4139	D41-05A	1545	
1966-50	4	M (Hercules IBX engine) / IAD-6003B		1541	91541
1968-65	6	HD-504A-6A, 605A-6A, 800-6A Power Unit / 1112638		1163A	91163A
1971-69	6	HD-425-6A, 504A-6A, 605B-6A, 800-6A Power Unit / 1112638		1163A	91163A
1978-74	6	G-1400, 1600 (Hercules gas engine) / IAD-6013, IAD-6013B		1561	91561
1966-50	6	D, L Chrysler 30 engine / IAD-4039-1		1561	91561
1964-63	6	HD-504-6A, 800-6A Power Unit 1112638		1163A	91163A

IGNITOR / IGNITOR II INDUSTRIAL APPLICATIONS

PerTronix
Electronic
Distributor

Ignitor

Ignitor II



Year	Cyl	Make / Model / Distributor	PerTronix Electronic Distributor	Ignitor	Ignitor II
MITSUBISHI					
ALL	4	4G33 engine / MD-009102		1941	91941
ALL	4	4G52 engine / MD-025752		1942	91942
Note: For additional Mitsubishi kits see page 19					
MOBILIFT					
ALL	4	B (Continental Y-112 engine) / IGW-4139	D41-05A	1545	
ALL	4	M, MSA (Hercules IBX engine) / IAD-6003B, IAD-6004-2F	D41-09B	1541	91541
ALL	4	MA-30, MA-40, MA-50 / IBT-4702		1542	91542
ALL	6	D, L (Chrysler 30 engine) / IAD-4039-1		1561	91561
NEWARK OHIO CO.					
ALL	6	701 Power Unit (Continental F245 engine) / 1111310	D61-06A	1163A	91163A
NEW IDEA					
1972-65	6	701, 702 Power Unit / 1110318, 1110364, 1112640, 1112674		1163A	91163A
ONAN					
ALL	4	(55-50 Willys engine) / IAD-4008		1541	91541
ALL	4	(56-55 Willys engine) / IGW-4115		1545	
ALL	4	5GO, 6GO, HC, HQ / IGW-4156C		1545	
ALL	4	Autolite distributor / IGW-4409A, IGW-4409B		1545	
ALL	6	15K, 25HN (5A, 6A engine) / IAD-4039-1		1561	91561
PETTIBONE MERCURY					
1980-78	4	(F-163 Continental engine) / IDJ-4008	D41-05A	1543	91543
1982-79	6	(Prestolite distributor) / IDJ-4013	D61-06A	1562	91562
READY POWER					
ALL	4	Z, Z-2 (Hercules ZXB engine) / IGW-4120B		1545	
ALL	4	F4 (Ford engine) / IAD-4008		1541	91541
ALL	6	F, L2, L3, V / IAD-6002-1G		1561	91561
ALL	4	F2 / IAD-4008		1541	91541
ALL	6	1959 / IAD-6002-1G		1561	91561
ROSS CARRIER					
ALL	4	Series 5 Lift Truck / IAD-6004-2C		1541	91541
ALL	6	Series 12T, Y200 Lift Truck, Series 80, 90, 100 Carrier IAD-4034, IAD-6001D, IAD-6001E		1561	91561
SEAMAN AND WALL					
ALL	6	GS7C / IAD-6002-1A		1561	91561
TCM					
ALL	4	FG, FCG 10-25 Series Lift Truck (Nissan H-20 engine)		1741	
ALL	6	FG, FCG 30, 35 Series Lift Truck (Nissan H-30 engine)		1761	
ALL	6	FG, FCG 30, 35 Series Lift Truck (PPU engine)		1761	
TEREX DIVISION (G.M.C.)					
1972	4	T-30, 40, 50, 60; V-30, 40, 41, 50, 51, 60, Lift Truck (Continental F-163 engine) 1112677		1145A	91145A
1972	6	540, 600, 670, 760-P, 860-P, 960-PLT (Continental F-227 engine) / 1112444		1163A	91163A
1972	6	V-30, 40, 41, 50, 51, 60 (Continental F-227 engine) / 1112444		1163A	91163A
THERMO-KING					
ALL	4	Thermo King MQ-21 Refrig. Unit / IAD-4038		1541	91541
ALL	4	Waukesha 1CK engine / IAD-6004A		1541	91541
TOWMOTOR					
1980-71	4	Continental F, Y engine / IBT-4701C		1542	91542
1979-78	4	All Y112, F163, F185 Continental engine / IDJ-4012	D41-05A	1543	91543
1980-76	4	V60-80 Lift Trucks Perkins G4-236 engine / IDJ-4005A		1543	91543
1978-75	4	V60C Lift Trucks Perkins G4-236 engine / IDJ-4005		1543	91543
1977	4	All Continental F163 engine / IDJ-4008	D41-05A	1543	91543
1979-70	4	Lift Truck IBT-4701C		1542	91542
1973-66	4	Lift Truck Waukesha 1CK engine / IGW-4502		1545	
1972	4	Lift Truck; T-30, 40, 50, 60; V30, 40, 41, 50, 51 60 / 1112677		1145A	91145A
1970-62	4	502, 601 / IBT-4701C		1542	91542
1970-60	4	442, 462, 502P, 601P / IBT-4701A		1542	91542
1970-59	4	331 Lift Truck / IGW-4403A		1545	
1967-65	4	350 Lift Truck / IGW-4501		1545	
1965-57	4	350 Lift Truck Continental N-62 / IGW-4191A		1545	
1962-55	4	Continental Y-91 engine / IAD-6004-1D		1541	91541
1956-50	4	LT-35, 350 / IGW-4044A, IGW-4191A		1545	
1951-50	4	LT-40, 44, 48, 50, 60 / IGW-4044A		1545	

IGNITOR / IGNITOR II INDUSTRIAL APPLICATIONS

PerTronix
Electronic
Distributor



Year	Cyl	Make / Model / Distributor	PerTronix Electronic Distributor	Ignitor	Ignitor II
TOWMOTOR (CONTINUED)					
1977	6	Continental F227, 245 engine / IDJ-4013		1562	91562
1979-72	6	Lift Truck Continental F226, F245 engine IBT-6702	D61-06A	1562	91562
1972	6	Continental F227 engine / 1112444		1163A	91163A
1972	6	Lift Truck; 540, 600, 670, 760P, 860P, 960PLT; V30, 40, 41, 50, 51, 60 1112444		1163A	91163A
1962	6	Lift Truck; 850, 950 / 1112622, 1112630		1163A	91163A
1979	8	Large Lift Truck V345 engine / IDN-4102B		1485A	
TOYOTA INDUSTRIAL					
ALL	4	FG-25,		1641	91641
ALL	4	FGC-15,		1641	91641
ALL	4	FGC-25		1641	91641
ALL	4	2FGC-20		1641	91641
ALL	4	3-FG-10, 15; 3-FGC-20, 25; 4-FGC-20, 25		1641	91641
ALL	4	02-FG-25		1641	91641
ALL	4	02-FGC-10		1641	91641
ALL	4	02-FGC-15		1641	91641
ALL	4	02-FGC-20		1641	91641
ALL	4	02-FGC-25		1641	91641
ALL	4	40-FG-20		1641	91641
ALL	4	42-FG-20		1641	91641
ALL	4	FGC-10 (5R engine)		1641	91641
ALL	6	2FG-50, 60, 3FG-32, 35, 40, 50, 60		1661	91661
ALL	6	FG-32, 35, 40 (F engine)		1665	91665
ALL	6	2FG-32, 35, 40 (2F engine)		1665	91665
UNIVERSAL					
ALL	4	AF / IGW-4116A		1545	
US MOTORS					
ALL	4	(Prestolite distributor) / IAD-4037, IAD-6004-1D		1541	91541
ALL	4	(Prestolite distributor) / IGW-4022, IGW-4120-C		1545	
ALL	6	(Prestolite distributor) / IAD-6002-1A		1561	91561
VOLKSWAGEN INDUSTRIAL ENGINE					
1975-73	4	Type 122/2 (1m 122 engine) / 178003, 178009		1847V	
1972-69	4	Type 122/2 (1m 122 engine) / 117007		1847V	
1975-73	4	Type 126/A (1m 126 engine) / 178003, 178009		1847V	
1972-69	4	Type 126/A (1m 126 engine) / 117007		1847V	
1975-71	4	Type 127 (1m 127 engine) / 117007		1847V	
WAUKESHA					
1978-75	4	VRG-155 engine / 1112470		1146A	91146A
1974-72	4	18GKB / 1112463, 1112470		1146A	91146A
1973-72	4	FC-4 / 1112455		1145A	91145A
ALL	4	H-1077G / 1111697, 1112459		1145A	91145A
1973-59	4	IC series / IGW-4301		1545	
ALL	4	FC series (clockwise rotation) / 1112455		1145A	91145A
ALL	4	180 DCK, GKB / 1112463, 1112470		1146A	91146A
1967-66	4	FC series / IGW-4303		1545	
1965-59	4	FC, FCS, FS14 / IGW-4301		1545	
1959-50	4	IC series / IGW-4118A		1545	
1982-68	6	F-817G, F1197G Standard / 1112465		1163A	91163A
1973-68	6	F-554G Standard / 1112465		1163A	91163A
ALL	6	135GZ / 1112462		1163A	91163A
1970-68	6	2656, 283 / 1112682		1163A	91163A
1970-68	6	320G, LPG / 1112687, 1112696		1163A	91163A
1967	6	265G / 1112682		1163A	91163A
1966-63	6	190 / 1112682		1163A	91163A
ALL	6	195GK, F320G / 1112687, 96		1163A	91163A
WHITE					
1983-77	4	G-1600 / IAD-6013C, IAD-6013B		1541	91541
1982-76	4	Misc. Models / IBT-4702, IBT-4405		1542	91542
1981-75	4	MA20, 25, 30, Lift Truck / 1112487		1145A	91145A
1972	4	HD-425A-6A, 504A-6A, 605B-6A, 800-6A / 1112638		1146A	91146A
1972	4	336A-4 1112660, / 1112661		1146A	91146A
1972-69	4	MY-40, 50, 60, 70 / 1112642		1145A	91145A
1981-75	6	MA60H, 70, 80, 90, 100, 120 Lift Truck / 1112444		1163A	91163A
1974-69	6	MA20, 30, 40, 50, 60, 70, 80, 90, 100, WC-20, 30, 40, 50 / 1112444		1163A	91163A

IGNITOR / IGNITOR II INDUSTRIAL APPLICATIONS

PerTronix
Electronic
Distributor



Year	Cyl	Make / Model / Distributor	PerTronix Electronic Distributor	Ignitor	Ignitor II
WILLYS INDUSTRIAL					
ALL	4	(Prestolite distributor) / IAD-6004-2F, IAD-6004-2N	D41-09B	1541	91541
WISCONSIN					
1990-50	1	IGW- series distributors		1511	
ALL	4	VE4D / IGW-4159A		1545	
ALL	4	VPO-4 / IGW-4159A		1545	
1983	4	Misc. Models / IBT-4709		1542	91542
1982	4	V461D, V465D / IAD-6004-2N	D41-09B	1541	91541
1979-74	4	VG4D / IAD-6004-2R		1541	91541
1979-68	4	VG4D, VH4, VH4D, VH4DM, V461D			
		IAD-6004-2N	D41-09B	1541	91541
		IAD-6004-2P	D41-10B	1541	91541
ALL	4	VE4, VF4, VF4D, VP4, VP4D / IGW-4151A IGW-4159A		1545	
1967-53	4	VG4D, VH4, VH4D, VH4DM, VR4, VR4D / IAD-6004-2F	D41-09B	1541	91541
1965-55	4	ABN,ACH,AEH,AEN, AENS, AFH, AHH, AKS / IGW-4167		1545	
1965-50	4	VP4, VP4D / IGW-4187A		1545	
1964-61	4	V460D / IAD-6004-2F	D41-09B	1541	91541
ALL	4	V460D, 461D, 465D / 1112695		1145A	91145A
1963-55	4	VR4D / IAD-6004-2F	D41-09B	1541	91541
1961-60	4	ACN, AENL, AGND, BKN / IGW-4402, IGW-4405		1545	
1960-55	4	ACN, AENL, BKN / IGW-4179		1545	
1973-69	4	LTV All Terrain Vehicle (VH engine) / IAD-6012		1541	91541
WORTHINGTON					
ALL	4	60 (Continental Y-91 engine) / IAD-4206, IAD-6004-1C, IAD-6004-1D		1541	91541
ALL	6	150, 160, 210 (F6-226, M-330, B6-427 engine) IAD-4027, IAD-6002-1C, IAD-6002-1D		1561	91561



IGNITOR / IGNITOR II INDUSTRIAL BY DISTRIBUTOR



Distributor Number / Type

Cyl

Rotation

Ignitor

Ignitor II

BOSCH			
0-231-170-307	4	-----	1843
PRESTOLITE			
IAT-4101 (Chrysler IND 33)	6	CW	1362
IGW-4199C (fires 180 degrees)	2	CCW	1521
IAD-4046	2	CCW	1522
IDN-4009	4	CW	1441A
353898R1	4	CW	1442
368051R1	6	CCW	1461
IDU-4407	4	-----	1543
IGW-4156C, IGW-4403A	4	CW	1545
IBT-6701A	6	CCW	1565
IAM-4001 10A	6	CCW	1567CC
IAO-4114A IM	6	CW	1567
MITSUBISHI			
T3T 05772	4	-----	1941
T3T 04582	4	-----	1942
T3T 16171, T4T 11071	4	-----	1943
T3T 61991	4	-----	1944
T4T 66871	4	-----	1945
T3T 03571	4	-----	1949
T2T 10496	4	-----	MA-141
T0T 00471 Lobe Sensor Version	6	-----	1762LSCC
NIPPONDENSO			
19100-60065 029100-2370, 19100-87219 229100-7580	3	CCW	1631
19100-60062	6	-----	1665

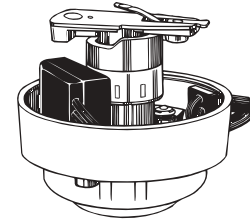


IGNITOR / IGNITOR II AGRICULTURAL APPLICATIONS

HOW TO USE THIS GUIDE

PerTronix has gone to great effort to insure the accuracy of this guide. The following pages represent the most common makes and models of each application. To insure that the right part number is selected use these general guidelines:

- Unless otherwise noted, part numbers listed represent 12-volt negative ground kits.
- Applications are based on the vehicle's original distributor.
- Some kits are also available for 6 volt negative ground systems as well as 6 and 12 volt positive ground.
A N6, P6 or P12 prefix is attached to these part numbers. See page 28 for kits available in these variations.
- A "9" prefix indicates an Ignitor II version.
- An "LS" suffix indicates a Lobe Sensor version. Lobe sensor technology senses the point cam, and does not use a magnet sleeve.
- Additional applications by the distributor number are listed on page 26.
- Turn to page 34 and 35 for compatible coils and coil selection guide.



PerTronix
Electronic
Distributor

Ignitor

Ignitor II



Year	Cyl	Make / Model / Distributor	PerTronix Electronic Distributor	Ignitor	Ignitor II
ALLIS CHALMERS					
BALER					
ALL	4	300, 302, 303 / IAD-6004-2N	D41-09B	1541	91541
ALL	4	Wisconsin VH4D engine / IAD-6004-2P, IAD-6004-2F	D41-10B	1541	91541
COMBINE					
ALL	6	E, E-111, K / 1112479, 1112640		1163A	91163A
ALL	6	F, G262, B, GB230, G250, G292 engine / 1112461, 1112479, 1112640		1163A	91163A
ALL	6	G, 2800 (gas engine) / 1112472		1163A	91163A
ALL	6	K, 6-250, 6-232 engine / 1112479		1163A	91163A
SPRAYER					
ALL	4	2300 / IAD-6004-2N, IAD-6004-2P	D41-09B	1541	91541
TRACTOR					
ALL	4	170, 175 / 1112688		1146A	91146A
ALL	6	226 / 1112668		1163A	91163A
ALL	6	180, 190XT, 200 / 1112668		1163A	91163A
ALL	6	190 (G-2500 gas, LPG engine) / 1111311, 1112653, 1112667		1163A	91163A
JOHN BEAN					
SPRAYER					
ALL	4	6-25, 6-30, 6-40, 6-50, 6-60 Wisconsin VF4D, VG4D, VH4D engine / IAD-6004-2N	D41-09B	1541	91541
1973-57	4	6-50 / IAD-6004-2F	D41-09B	1541	91541
ALL	4	6-60, 6-70 (Willys F4 engine)		1541	91541
1973-57	4	AF10, 15, 20 / IAD-6004-2F	D41-09B	1541	91541
ALL	4	AT10, 15, H15, 20 / IAD-6004-2N	D41-09B	1541	91541
ALL	4	12, 14 (Wisconsin VF4D engine)		1541	91541
ALL	4	15RC (Wisconsin VF4D, VP4D engine)		1541	91541
ALL	4	2ORC (Wisconsin VF4D, VH4D engine)		1541	91541
1973-57	4	20, 20TP, 25 / IAD-6004-2F, IAD-6004-2N	D41-09B	1541	91541
ALL	4	26F (Wisconsin VG4D engine)		1541	91541
1972-60	4	28E, G / IAD-4041		1541	91541
ALL	4	F-4 (Dustproof distributor)		1541	91541
ALL	4	30RC (Willys F4 engine)		1541	91541
1973-57	4	35, 35TP / IAD-6004-2F, IAD-6004-2N	D41-09B	1541	91541
ALL	4	60 (F-2 engine)		1541	91541
ALL	4	100E Rotomist (F-4 Standard engine)		1541	91541
ALL	4	F-4 (Dustproof distributor)		1541	91541
1973-57	4	200CP, C200CP / IAD-6004-2F	D41-09B	1541	91541
1973-57	4	E200CP, E277, G200CP / IAD-4041		1541	91541
1973-57	4	275CP, A275CP / IAD-6004-2F, IAD-6004-2N	D41-09B	1541	91541
ALL	4	277, E277 (F4-134 engine)		1541	91541
1959-58	4	Rotomist 100E / IAD-4041		1541	91541
1973-57	4	Potato Harvester, Rotocast / IAD-6004-2F, IAD-6004-2N	D41-09B	1541	91541
1963-58	6	40RC / IAD-4040-1		1561	91561
ALL	6	300G Rotomist Chrysler 32 engine		1561	91561
ALL	6	557CP (GM 305C)		1163A	91163A
ALL	8	700CP (GM 370)		1181	91181
ALL	8	703CP, 757CP (IHC 345 V8)		1181	91181
BESLER					
ALL	4	450 Wisconsin VG4 / IAD-6004-2F	D41-09B	1541	91541
JOHN BLUE					
ALL	4	Wisconsin VH4, VH4D / IAD-6004-2F	D41-09B	1541	91541

IGNITOR / IGNITOR II AGRICULTURAL APPLICATIONS

PerTronix
Electronic
Distributor



Year	Cyl	Make / Model / Distributor	PerTronix Electronic Distributor	Ignitor	Ignitor II
BOLENS					
ALL	4	Wisconsin VG4D / IAD-6004-2F	D41-09B	1541	91541
BRADY					
ALL	4	BPO60-DKB, T60DKM (Wisconsin VG4D) / IAD-6004-2F	D41-09B	1541	91541
CARDOX					
ALL	4	Jeep F-4 engine / IAD-4041		1541	91541
ALL	4	Wisconsin engine VG4D / IAD-6004-2F	D41-09B	1541	91541
CASE					
BALER					
ALL	4	NCM, NT Wisconsin VE4 / IGW-4159A		1545	
ALL	4	W5 G188 engine / IAD-6003-2F		1541	91541
ALL	4	177 Wisconsin VG4D / IAD-6004-2F	D41-09B	1541	91541
ALL	4	330 (Wisconsin VG4D, VH4D)		1541	91541
COMBINE					
ALL	4	A Wisconsin VF4 / IGW-4159A		1545	
ALL	4	65 Wisconsin VF4		1541	91541
ALL	4	150, 302, 600, 660 400, (Hercules G-188B, A201 engine)		1541	91541
ALL	4	800 (Hercules GO-298 A-251G, A-284G-F engine)		1542	91542
ALL	4	1000, 1010 (Hercules GO-289 A-215G, A-284G-F)		1542	91542
CRAWLER					
ALL	4	200, 300 (Continental F140 engine) / IAD-6004-1C		1541	91541
ALL	4	300, 400, 500 (Continental F162, FA162 engine) / IAD-6004-1B		1541	91541
ALL	4	310, 320, G148 / IAD-6003-2J		1541	91541
ALL	4	440, 640 G148, G188 engine / IAD-6003-2F, J		1541	91541
ALL	4	GT25, 30, 34 (Continental F124, F140, F162 engine) / IAD-6004-1C		1541	91541
ALL	6	600, 600G, 800G (Continental F209; H227 engine) / IAD-6002-1G		1561	91561
LOADER					
ALL	4	W5 G188 engine / IAD-6003-2F		1541	91541
ALL	4	W7, W9AG 284 engine / IBT-4402		1542	91542
ALL	4	W5AG 188 engine / IBT-4403A		1542	91542
TRACTOR					
ALL	4	S		1541	91541
ALL	4	V Continental F124 engine		1545	
ALL	4	VA Series / IAD-6003-2F		1541	91541
ALL	4	VC, VI, VO Continental F124 engine		1545	
ALL	4	200, B, 210, B, 211B G126, 148, 188 engine		1541	91541
ALL	4	200B, 350, 351, 400B, 500B, 600B, (G126, G164) / IAD-6003-2F		1541	91541
ALL	4	300, 310, 320, (G148) / IAD-6003-2F		1541	91541
ALL	4	350, 351, 500B, 600B, (G164); 400, 40,41, 80CK (G148, B) / IAD-6003-2F, 2J, 2K		1541	91541
ALL	4	540, C541, C (159); 640, 641, C / IAD-6003-2F, 2J, 2K		1541	91541
ALL	4	400B, 420, 430, 435LCK, 440, 441, 450, 500, 500B (G148, G148B, G164 engines)		1541	91541
ALL	4	400 (F162 engine)		1541	91541
ALL	4	470 (G148, B, G159 engine) / IAD-6003-2J		1542	91542
ALL	4	530, 30LCK, 540, 41, C, C570, 80, CK, CK-B (G148, B engine) / IAD-6003-2J		1541	91541
ALL	4	530, 35LCK, 540, 41, C, C570, 80, CK, CK-B (G159 G188, B engine) / IAD-6003-2F		1541	91541
ALL	4	600B, G30, 640, C, 641, C		1541	91541
ALL	4	680CK A267		1542	91542
ALL	4	700B, 800, 800B		1541	91541
ALL	4	251, A301GB; 830, 840, 870, 930		1542	91542
ALL	4	900B		1541	91541
ALL	6	900 (gas and LPG engine) / IAD-6010-1		1561	91561
ALL	6	970 (377BG, A401 engine)		1562	91562
WINDROWER					
ALL	4	650, 655, 675 (Wisconsin VH4D, VG4D engine)		1541	91541
ALL	4	840 (Wisconsin VE4; Own A-125 engine) / IGW-4159A		1545	
ALL	4	1150, 1155, (G159), 1255 (G188) / IAD-6003-2F	D41-09B	1541	91541
ALL	4	V461D; (Own G159, G188, B)		1541	91541
CENTAUR					
ALL	4	Hi-Way Mower, KV Tractor / IGW-4121A		1545	
COCKSHUTT					
COMBINES					
ALL	4	7, 18, 422 (Continental F-124, 140 engine) / IAD-6004-1C		1541	91541
ALL	6	SP-109, 110, 112, 115, 132, 137, 215, 420 (Chrysler 251, 265 engine) / IAD-4040-1		1561	91561
ALL	6	427, 28, 29; 430, 431, 525, 535, 542, 545 (Chrysler 251, 265 engine) / IAD-4040-1		1561	91561
HAY BAILER					
ALL	4	101, 102, 103, 620, 720 (Wisconsin VG4D, VH4D engine) IAD-6004-2F, IAD-6004-2N	D41-09B	1541	91541

IGNITOR / IGNITOR II AGRICULTURAL APPLICATIONS

PerTronix
Electronic
Distributor

Ignitor Ignitor II



Year	Cyl	Make / Model / Distributor	PerTronix Electronic Distributor	Ignitor	Ignitor II
COCKSHUTT (CONTINUED)					
WINDROWER					
ALL	4	10, 12, 14, 16 Ft., 502 (Wisconsin VG4D, VH4D engine) / IAD-6004-2F	D41-09B	1541	91541
TRACTOR					
ALL	4	20, 30, (Continental F-124, 140 engine) GO-198 / IAD-6004-1C		1541	91541
ALL	6	40 (Chrysler T- 120, 8A engine) / IAD-4203-1		1561	91561
CUSTOM					
ALL	6	B, C, E, ER, EW, HR, HW / IAD-4201-1, IAD-4039-1, IAD-4203-1, IAD-4040-1		1561	91561
JOHN DEERE					
COMBINE					
ALL	6	55 / IAD-4012A		1561	91561
ALL	6	95, 105 / 1112466		1163A	91163A
ALL	6	Combine 4400, 7700 / 1112466, 1112640		1163A	91163A
ALL	6	4400SP / 1112640		1163A	91163A
ALL	6	6602,7700SP / 1112466		1163A	91163A
COTTON PICKER					
ALL	6	99, 299SP NP-217G, L		1562	91562
FORGE HARVESTER					
ALL	4	8 Forage Harvester / IAD-4029	D41-05A	1541	91541
ALL	4	72, 74 (Wisconsin VP4D engine)		1541	91541
ALL	6	12 Deere EA-217 engine		1562	91562
ALL	6	Harvester H-7 / 1112466		1163A	91163A
HAY BALER					
ALL	4	10 Wisconsin VG4D engine		1541	91541
ALL	4	214WS, 216T, 216W, WS, 224T, 224WS / IAD-6004-2N	D41-09B	1541	91541
ALL	4	346 (Wisconsin VG4D, VH4D engine) / IAD-6004-2N	D41-09B	1541	91541
POWER UNIT					
ALL	4	600, 700		1542	91542
TRACTOR					
ALL	4	500 / 1112648		1145A	91145A
ALL	4	500C / 1112474		1145A	91145A
ALL	4	3010 / 1112623		1145A	91145A
ALL	4	3020 / 1112474, 1112623, 1112648		1145A	91145A
ALL	4	4020 Hercules, Wisconsin engine		1541	91541
ALL	6	600, 700 / 1112624		1163A	91163A
ALL	6	4000, 4010 / 1112624		1163A	91163A
ALL	6	4020 / 1112466, 1112624		1163A	91163A
WINDROWER					
ALL	4	Windrower 10, 14, 16 Ft. / IAD-6004-2F	D41-09B	1541	91541
ALL	4	780 (Wisconsin VG4D, VH4D engine)		1542	91542
ALL	6	800 Chrysler 225 engine / Prestolite distributor		1561	91561
ALL	6	800 Chrysler 225 engine / Chrysler distributor		1361A	91361A
FORD					
COMBINES					
ALL	4	16-46, 47, 48, 49; 16-98, 99, 100, 101		1541	91541
ALL	4	17-14, 15, 16, 17 Wisconsin VF4D		1541	91541
ALL	4	19-14, 15, 16, 17		1541	91541
ALL	6	17-1 Ford 223 engine		1261	91261
ALL	6	17-34, 17-35		1261	91261
ALL	6	630, 640 Ford 300 engine		1261	91261
FOX RIVER					
1959-58	6	Forage Harvester / IAD-6002-1G		1561	91561
FRIEND					
ALL	4	ATB, ATB40, CU32, CU32RC, GTA, GTAT50, MA36,	D41-09B	1541	91541
ALL	4	MA36, MA36RC, MAL36RC; 322, 322RC, 362, 362RD IAD-6004-2F, IAD-6004-2N	D41-09B	1541	91541
GEHL (FORAGE HARVESTER)					
ALL	4	HL3030 Hydra Cat. / IAD-6004-2N	D41-09B	1541	91541
ALL	4	Wisconsin VG4D engine / IAD-6004-2F	D41-09B	1541	91541
ALL	6	Continental FA-244, M-363 engine / IAD-6002-1A, IAD-6002-1G		1561	91561
HAGIE					
ALL	4	320, 340, 430, 432, 435, W; 437 Crane / IAD-6004-2F	D41-09B	1541	91541
HAHN					
ALL	4	Hi. Boy, FS, Sprayer & Power Unit, VH4D engine / IAD-6004-2F, IAD-6004-2N	D41-09B	1541	91541
ALL	4	H300, FSP, P, H306, FSP, P / IAD-6004-2F, IAD-6004-2N, IAD-6004-2P	D41-09B	1541	91541

IGNITOR / IGNITOR II AGRICULTURAL APPLICATIONS

PerTronix
Electronic
Distributor



Year	Cyl	Make / Model / Distributor	PerTronix Electronic Distributor	Ignitor	Ignitor II
HARDIE MFG. CO.					
ALL	4	Wisconsin VG4D / IAD-6004-2F, IAD-6004-2N	D41-09B	1541	91541
ALL	4	Wisconsin VP4D engine / IGW-4159A		1545	
ALL	4	DF24B, DF24C, DF480C, DF480H, DF485C, F4 engine / IAD-4012, IAD-4041		1541	91541
ALL	4	150-160 Continental F-226 engine		1541	91541
HARRINGTON					
ALL	4	Combine / IAD-6004-2F	D41-09B	1541	91541
HESSTON					
ALL	4	110, 180, 260, 280, 300, 310, (Wisconsin VG4D, VH4D, V460D) IAD-6004-2F, IAD-6004-2N	D41-09B	1541	91541
ALL	4	HS220, HS240, HS260, HS500, (Wisconsin VG4D, VH4D, V460D) IAD-6004-2F, IAD-6004-2N	D41-09B	1541	91541
INTERCONTINENTAL					
TRACTOR					
ALL	4	C-26 (Continental F126, Buda 4BD-153 engine) IAD-4029, IAD-6004-1B, IAD-6004-1E	D41-05A	1541	91541
INTERNATIONAL HARVESTER					
COMBINE					
ALL	4	Combine (Wisconsin VRDD engine) / IAD-6004-2F	D41-09B	1541	91541
ALL	6	80 Wisconsin VH4 engine		1561	91561
ALL	6	140 Wisconsin VR4D engine / All IAD-series distributors		1561	91561
HAY BALER					
ALL	4	Wisconsin VF4D engine		1541	91541
ALL	4	Baler (Wisconsin VG4D, VH4D engine)		1541	91541
ALL	4	37T, 37 W, 47T, 47W / IAD-6004-2N	D41-09B	1541	91541
ALL	4	57T, 57W, 71W / IAD-6004-2F	D41-09B	1541	91541
ALL	4	45, 46 (Wisconsin VF4)		1541	91541
ALL	4	47 Twine, 47 Wire (Wisconsin VH4D, VH4)		1541	91541
ALL	4	56, 57 Twine; 56, 57 Wire (Wisconsin VH4D, VH4 engine)		1541	91541
ALL	4	60, 70, 71 Wire (Wisconsin VG4D, VR4D engine)		1541	91541
ALL	4	430, 430T, 430W, 440, 440T, 440W, (Wisconsin VG4D, VH4D, VR4D engine)		1541	91541
ALL	6	Windrower 4000 (C232, 258 engine) / 1110523, 528		1162A	91162A
INDUSTRIAL					
1973-70	6	H30B, F, R Payloader / 1112471		1163A	91163A
1971-70	6	UB-220, 265 Power Unit / 1112471		1163A	91163A
1971-70	6	UR-450, UV-450 / 1112473		1163A	91163A
1964-60	8	UV-345, UV-549 Power Unit / 1112744, 1112748, 1112749, 1112782		1181	91181
1962-59	8	UV-549 Power Unit / 1112755		1181	91181
TRACTORS					
ALL	4	(C-157) / IBT-4102A		1542	91542
ALL	4	(C-175, C-200) /IBT-4102A		1542	91542
ALL	4	544 (C-200, D-239)		1145A	91145A
ALL	4	574 (C-200, D-239) Delco distributor		1145A	91145A
ALL	4	574 (C-200, D-239) Prestolite distributor		1542	91542
ALL	4	674 (C-200, D-239)		1145A	91145A
ALL	4	2544 (C-200, D-239 engine)		1145A	91145A
ALL	4	3514 (C-153, C-175 engine)		1145A	91145A
JUMBO					
TRACTORS					
ALL	6	B, C, E, ER, EW, HR, HW / All IAD-series distributors		1561	91561
KROMER					
SPRAYER					
ALL	4	Wisconsin VF4, VH4, VH4D / IAD-6004-2F	D41-09B	1541	91541
LILLISTON					
ALL	4	Peanut Combine / IAD-6004-2F	D41-09B	1541	91541
ALL	4	04, 1500, 2, 8 (Wisconsin VG4D, VH4, VH4D engine) / IAD-6004-2N	D41-09B	1541	91541
LONG					
ALL	4	680 Baler Wisconsin VH4D engine / IAD-6004-2N	D41-09B	1541	91541
ALL	4	A Tractor Continental F-162 engine / IAD-6004-1B		1541	91541
ALL	4	50, 60 Baler (Wisconsin VB4, VF4 engine) / IGW-4159A, IGW-4159B		1545	
LOVE					
ALL	4	J-51 Willys CJ2A, 3 engine / IAD-4008, IAD-4008A		1541	91541
ALL	6	CF1, CF51, (Chrysler 5A, 6A engine) / IAD-4039-1, IAD-4201-1		1561	91561

IGNITOR / IGNITOR II AGRICULTURAL APPLICATIONS

PerTronix
Electronic
Distributor

Ignitor Ignitor II



Year	Cyl	Make / Model / Distributor	PerTronix Electronic Distributor	Ignitor	Ignitor II
LUNDELL					
ALL	4	2020 Tractor, Forage Harvester Super 606, (Winconsin VG4D, V461D engine) IAD-6004-2F, IAD-6004-2N	D41-09B	1541	91541
ALL	6	55-17 Continental F224 engine / IAD-6002-1G		1561	91561
MASSEY FERGUSON					
COMBINES					
ALL	4	35SP, 72 Ft. Continental F140 engine / IAD-6004-ID		1541	91541
ALL	4	50 Wisconsin VF4 engine / IGW-4150, IGW-4151		1545	
ALL	4	60 Pulled Type Continental F-140 engine		1541	91541
ALL	4	72 Pulled Type Continental F-140 engine		1541	91541
ALL	4	Clipper Continental F-162 engine		1541	91541
ALL	4	Clipper 6 ft., 7 ft. (Wisconsin VF4 engine)		1545	
ALL	6	Combine (Chrysler 5, 5A, 30, 251 engine) / IAD-4039-1		1561	91561
ALL	6	27 (Chrysler 8A, 30, 251, 265 engine) / IAD-4040-1		1561	91561
ALL	6	60SP, 70, 72SP, 80SP, 82SP, (Chrysler 5, 30, 251 engine) / IAD-4039-1		1561	91561
ALL	6	90SP, 92 (Chrysler 8A, 30, 251, 265 engine) / IAD-4040-1		1561	91561
ALL	6	MF410 GMC 292		1163A	91163A
FORAGE HARVESTER					
ALL	6	Clipper Forager Continental F-226 engine		1561	91561
TRACTOR					
ALL	4	F40 Continental Z-134 engine / 1112643		1145A	91145A
ALL	4	H-260 Continental H-260 engine		1145A	91145A
ALL	4	MF Special 35, MF50 (Continental Z-134 engine) / 1112643		1145A	91145A
ALL	4	MF65 Continental G-176 engine / 1112643, 1112644		1145A	91145A
ALL	4	MF-135, MF-150 / 1112643, 1112644		1145A	91145A
ALL	4	MF-165 1112458 / 1112644		1145A	91145A
ALL	4	MF-175, MF-180 / 1112647, 1112693		1145A	91145A
ALL	4	MF-2135, MF2200, MF2500 / 1112644		1145A	91145A
ALL	4	MF-3165 / 1112644		1145A	91145A
ALL	4	MF-6500 / 1112693		1145A	91145A
ALL	3	MF235 / 1112457		1131	
ALL	4	MF255, 265 / 1112458, 1112693		1145A	91145A
ALL	4	MF285 Perkins AG4-263 engine / 1112693		1145A	91145A
ALL	4	Swather MF-36 / 1112448, 1112478		1146A	91146A
ALL	4	MHF3, MHF4 (Continental E201, 208, 277, 288, F124, 140, 162 H260 engine)		1541	91541
ALL	4	MJA382, D (Continental E201, 208, F124, 140, 162 H-260 engine)		1541	91541
ALL	4	11 Pony, 16 Pacer, 21 Colt, 22K, 23K, 23 Mustang, 30, K, 33, 44 (Continental E201, F124, F140, H260, H277, N62, Y91 engine)		1541	91541
ALL	4	55 Continental J-382 engine		1541	91541
ALL	4	333, RT, RS, HA, 444, 555 (Continental E208, ED-208, H-277, J-382 engine)		1541	91541
ALL	6	MF-1100, MF-1105 (gas and LPG engine) / 1112687, 1112696		1163A	91163A
ALL	6	MF-410-292 engine / 1112479, 1112640		1163A	91163A
ALL	6	44-6 Continental F-226 engine		1561	91561
WINDROWER					
ALL	4	MF20 Wisconsin VF4 engine / IGW-4159A		1545	
MINNEAPOLIS-MOLINE					
COMBINES					
ALL	4	Combine G12. / IAD-6004-2F	D41-09B	1541	91541
ALL	4	69 Wisconsin VE4 engine		1541	91541
ALL	4	88 Wisconsin VF4 engine		1541	91541
ALL	6	2890, 3490, 3496, 4290, 4292, 4293, 4296, 5297 / IAD-4040-1		1561	91561
TRACTORS					
ALL	4	A (Hercules IX43, B3, K3, engine)		1541	91541
ALL	4	G900, 1000 / 1112684		1145A	91145A
ALL	4	Jet Star 3, 4 Star, 4 Star Super, 5 Star / 1112642		1145A	91145A
ALL	4	M670, U-302 1112642		1145A	91145A
		1112660		1146A	91146A
ALL	4	U302 (206B-4, 220A4, 220-4 engine)		1145A	91145A
ALL	4	V ZXB-3 engine		1541	91541
ALL	6	G-704 / 1112662, 1112684		1163A	91163A
ALL	6	G-1000, G-1050, G-1350, (425-6, 425-B6, 425-A6, 504A-6 engine) All Delco excluding distributor 1112594		1163A	91163A
WINDROWERS					
ALL	4	Windrower / IAD-6004-2F	D41-09B	1541	91541
ALL	4	100, 101 / IAD-6004-2N	D41-09B	1541	91541

IGNITOR / IGNITOR II AGRICULTURAL APPLICATIONS

PerTronix
Electronic
Distributor

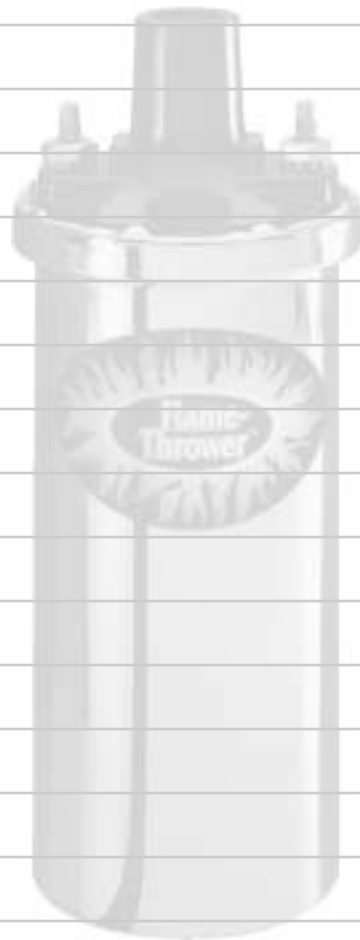


Year	Cyl	Make / Model / Distributor	PerTronix Electronic Distributor	Ignitor	Ignitor II
MOTEC					
COMBINE					
ALL	4	G-12 / IAD-6004-2F	D41-09B	1541	91541
ALL	4	M5 / IBT-4001G		1542	91542
MYERS					
ALL	4	4913 Series Wisconsin AHH engine		1545	
ALL	4	4920, 5035, 5050 Series (Wisconsin VE4, VF4, VF4D, VG4D engine)		1541	91541
ALL	4	5207 Series Wisconsin AKN engine		1545	
ALL	4	6000 Series Wisconsin AENLD engine		1545	
ALL	4	6013 Series Wisconsin AGN engine		1545	
ALL	4	6035, 6040, 6050 Series (Wisconsin VH4D, VG4D engine)		1541	91541
ALL	4	6100 Series Wisconsin VH4D engine		1541	91541
ALL	4	6125-F24 & R2 (Wisconsin AENLD engine)		1545	
ALL	4	6125-TF24, TR4 (Wisconsin VH4D engine)		1541	91541
ALL	4	6125, 6E, 6T (Wisconsin VE4 engine)		1541	91541
ALL	4	6810 Wisconsin AGND engine		1541	91541
ALL	4	6820 Wisconsin VH4D engine		1541	91541
ALL	6	6060, 6095 Series (Chrysler 30 engine)		1561	91561
NEW HOLLAND					
BALERS					
ALL	4	87, 98, 99, 271, 280, 281, 290, 1281, 82 (Wisconsin VG4D, VH4D, V460D, V461D engine) / IAD-6004-2F, IAD-6004-2N	D41-09B	1541	91541
FORAGE HARVESTER					
ALL	4	600, 601, 611 Wisconsin VP4, VP4D engine / IGW-4159A		1545	
ALL	4	601, 611 (Wisconsin VG4D, VH4D, V460D, V461D engine) IAD-6004-2F IAD-6004-2N	D41-09B	1541	91541
ALL	6	800, 810 Forage Harvester (Continental FA244 engine) / IAD-6002-1G		1561	91561
WINDROWERS					
ALL	4	901, 905 (Wisconsin VG4D, VH4D, V460D, V461D engine) IAD-6004-2F, IAD-6004-2N	D41-09B	1541	91541
OLIVER					
BALERS					
ALL	4	101, 102, 103, 620, 720 (Wisconsin VG4D, VH4D engine) IAD-6004-2F, IAD-6004-2N	D41-09B	1541	91541
COMBINES					
ALL	4	18 (Wisconsin VG4D, VH4 engine) / IAD-6004-2F, IAD-6004-2N	D41-09B	1541	91541
ALL	6	33 (Continental F-226 engine)		1561	91561
ALL	6	430, 431, 525, 535, 542, 545, Edible Bean, 5542, 5555, (Chrysler engine)		1561	91561
ALL	6	430, 431, 525, 535, 542, 545 (Chrysler 251, 265 engine) / IAD-4040-1		1561	91561
SPRAYER					
ALL	4	36-02 (Wisconsin VE4, VE4D, VF4 engine)		1541	91541
ALL	4	36-32, 919 (Wisconsin VG4D engine) / IAD-6004-2F	D41-09B	1541	91541
ALL	4	125, T, EAP, EAPT, (Wisconsin VE4, VE4D, VF4 engine) IAD-series distributors excluding IAD-4036 IGW-series distributors		1541 1545	91541
ALL	4	919 Wisconsin VG4D engine		1541	91541
TRACTOR					
ALL	6	1600 / 1112632		1163A	91163A
ALL	6	1800 / 1112632		1163A	91163A
WINDROWER					
ALL	4	10, 12, 14 & 16 Ft. / IAD-6004-2F IAD-6004-2N	D41-09B	1541	91541
ALL	4	85 (Wisconsin VE4, VE4D VF4 engine) / IGW-4159A		1545	
ALL	4	86, 96 (Wisconsin VG4D, VH4D engine) / IAD-6004-2F IAD-6004-2N	D41-09B	1541	91541
OWATONNA					
ALL	4	25, 28, 30, 35, 60, 80, 81, 90, 92, 1000, 1200, 1700 (Wisconsin V460D, VG4D, VH4D, V461D) / IAD-6004-2F	D41-09B	1541	91541
ALL	4	250 Wisconsin VG4D engine		1541	91541
ALL	4	350 Wisconsin VG4D engine		1541	91541
ALL	6	700, 900 Chrysler 225 engine		1361A	91361A
REGAL AND ROCKOL					
ALL	6	B, C, E, ER, EW, HR, HW / IAD-4039-1, IAD-4040-1 IAD-4201-1, IAD-4203-1		1561	91561
WHITE FARM EQUIPMENT CO.					
ALL	4	U-302, Jet Star 3 (222A-4 gas & LPG engine) / 1112642		1145A	91145A
ALL	4	550 Tractor / 1112642		1145A	91145A
ALL	6	G-950 425 gas engine / 1112684		1163A	91163A
ALL	6	G-1050, 1350, 2155, (A4T-1600 504A-6, 504B-6 engine) / 1112662		1163A	91163A
ALL	6	G2055, 2155, 2655 / 1112662, 1112684		1163A	91163A

IGNITOR / IGNITOR II AGRICULTURAL BY DISTRIBUTOR



Distributor Number / Type	Cyl	Rotation	Ignitor	Ignitor II
DELCO				
1111558 (fires at 180°)	.2	CW	1121	
1112576 (fires at 90°)	.2	CW	1122	
1111709, 1112571 (fires at 90°)	.2	CCW	1123	
1112457	.3	CCW	1131	
1111748	.4	CW	1142	
1112589, 1112577	.4	CCW	1143	
D202 7953140	.4	CCW	1149A	
1111702, 1110136	.6	CW	1166	
FORD				
Side mount distributor	.4	Both	1244A	
HOLLEY				
2562-1 69498	.6	CW	HO-161A	
INTERNATIONAL HARVESTER				
353898R1	.4	CW	1442	
368051R1	.6	CCW	1461	
LUCAS				
D3A4 40748A	.4	CCW	LU-145	
MOTORCRAFT				
C7NF 12127A	.3	CCW	1231	
PRESTOLITE				
IBT-4301D	.3	-----	1531	
IBT-4101	.4	-----	1544	
IGW-4113, IGW-4146	.6	-----	1568	



IGNITOR / IGNITOR II MARINE APPLICATIONS



Year	Cyl	Distributor Number / Type	Ignitor	Ignitor II
AUTOLITE / PRESTOLITE DISTRIBUTORS				
ALL	4	IGW-4116, 4130, 4152, 6003, 4301, 4409	1545	
ALL	4	IBM-7026	1546	91546
ALL	6	IBM-7021	1563	91563
ALL	6	IAY-4009	1564	
ALL	8	IBM series non vacuum advance with clip on style cap (See note A & B)	1581	91581
ALL	8	IBM series non vacuum advance with screw down style cap (See note A & B)	1582	91582
BOSCH DISTRIBUTORS				
ALL	4	With distributor number 0-231-178-017	2842	
CHRYSLER DISTRIBUTORS				
ALL	6	Single point with vacuum advance	1361A	91361A
ALL	8	Single point with vacuum advance	1381A	91381A
DELCO DISTRIBUTORS				
ALL	4	Non vacuum advance distributors with screw down cap (clockwise rotation)	1146A	91146A
ALL	L6	Non vacuum advance distributors with screw down cap	1163A	91163A
ALL	V6	Even fire engines with mechanical weights at top of distributor shaft	1164	91164
57-up	8	With mechanical weights at top of distributor shaft	1181	91181
ALL	12	With distributor number SM 1563 399 (clockwise rotation)	DE-1121C	
ALL	12	With distributor number SM-1562 343 (counter clockwise rotation)	DE-1121CC	
MALLORY DISTRIBUTORS				
ALL	4	YL/HP	ML-141	9ML-141
ALL	6	YL/HP	ML-161	9ML-161
ALL	8	YL/HP (excluding distributor number YL670) (See note B)	ML-181	9ML-181
MERCUISER DISTRIBUTORS				
ALL	8	With distributor numbers 64025 and 64026	MC-181	9MC-181

NOTES

- A. 1581, 1582, 91581 and 91582 kits are designed to be installed with the original rotor. For your reference, the drawings below represent a "overhead" view of the original rotor.
- B. OMC; Stringer, Cobra and King Cobra applications with Electronic Shift Assist may require slight wiring modification.



Typical rotor used with kit # 1582 & 91582



Typical rotor used with kit # 1581 & 91581



IGNITOR / IGNITOR II REPLACEMENT PARTS

Replacement Module Kits

Ignitor and Ignitor II replacement module kits are available separately. To order a module kit, add a "0" suffix to the original kit part number.



EXAMPLE: ORIGINAL KIT : 91181 MODULE KIT : 911810

Replacement Magnet Sleeve Kits

Ignitor and Ignitor II replacement magnet sleeves are available separately. To order a magnet sleeve kit, add a "3" suffix to the original kit part number.



EXAMPLE: ORIGINAL KIT : 1281 MAGNET KIT : 12813

Replacement Rotors

Some Ignitor and Ignitor II kits are provided with a rotor to insure proper magnet sleeve engagement. The following kits have replacement rotors available:



Original Kit No.	Part No.
1281, 1481, 1482, 91281, 91481, 91482	1281R
1361A, 1381A, CH-161, CH-181	1361AR
91361A, 91381A, 9CH-161, 9CH-181	1361AR
1581, 91581	1581R
ML-183, 9ML-183	ML-183R
ML-184, ML-185, ML-186	ML-184R
9ML-184, 9ML-185, 9ML-186	ML-184R

Replacement Dust Shields

Ignitor and Ignitor II kit numbers 1741, 1941, 1942, 91941 and 91942 come with dust shields. To replace this part order:



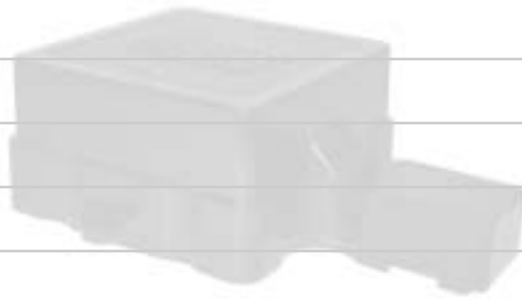
Replacement Dust Shield17415

6V & 12V POSITIVE GROUND AND 6V NEGATIVE GROUND KITS

Some Ignitor kits are available for 6 or 12-volt positive ground as well as 6-volt negative ground applications. Use the application guide on pages 2-28, to find the base kit for your application. Reference that number with the list below to determine if an alternate voltage and polarity are available.

Base Kit	Cyl	6V Neg.	6V Pos.	12V Pos.
1121	2		1121P6	1121P12
1122	2		1122P6	1122P12
1123	2		1123P6	1123P12
1142	4		1142P6	1142P12
1143	4		1143P6	1143P12
1145A	4	1145N6		1145P12
1149A	4			1149AP12
1149C	4			1149CP12
1163A	6		1163P6	1163P12
1164	6	1164N6		
1166	6	1166N6	1166P6	1166P12
1167	6	1167N6	1167P6	1167P12
1168	6	1168N6	1168P6	1168P12
1188	8	1188N6	1188P6	
1244A	4	1244AN6	1244AP6	1244AP12
1266	6	1266N6		
1282	8	1282N6	1282P6	
1283	8	1283N6	1283P6	
1442	4	1442N6	1442P6	1442P12
1541	4	1541N6	1541P6	1541P12
1542	4			1542P12
1544	4			1544P12
1546	4	1546N6		
1548	4	1548N6		
1561	6		1561P6	
1564	6	1564N6		
1568	6	1568N6		
1569	6		1569P6	
1585	8		1585P6	
1586	8		1586P6	
1844	4	1844N6		
1847A	4	1847AN6		
1847V	4	1847VN6		
1849	4	1849N6		

Base Kit	Cyl	6V Neg.	6V Pos.	12V Pos.
LU-142A	4			LU-142AP12
LU-143	4			LU-143P12
LU-144	4			LU-144P12
LU-148	4			LU-148P12
LU-149	4			LU-149P12
LU-162A	6			LU-162AP12
LU-165	6			LU-165P12
LU-166A	6			LU-166AP12
LU-168	6			LU-168P12
LU-186	8		LU-186P6	LU-186P12
LU-241	4			LU-241P12
LU-242	4			LU-242P12
ML-141	4			ML-141P12
ML-161	6			ML-161P12
ML-181	8		ML-181P6	
RR-161	6			RR-161P12
RR-162	6			RR-162P12
RR-164	6			RR-164P12





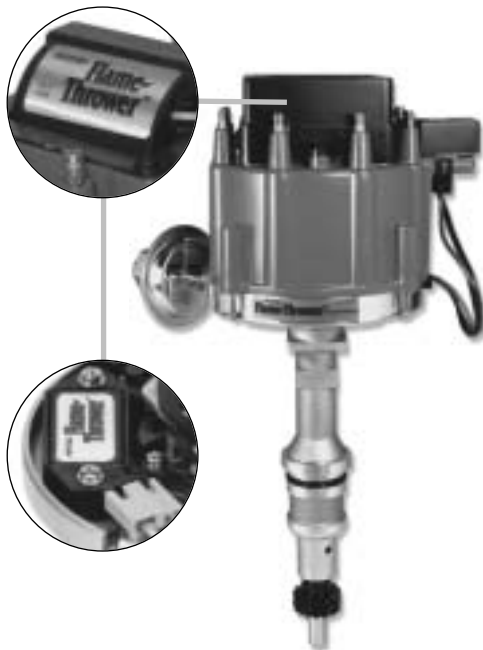
FLAME-THROWER HEI DISTRIBUTORS

Flame-Thrower[®] STREET/STRIP HEI

Experts agree that good HEI ignition systems rely on a good module and a good coil. We believe that the combination of a great module and a great coil makes our Flame-Thrower distributor the best.

We've engineered our module and coil to work together, to provide you with superior ignition performance without misfires up to a minimum of 7500 RPM, nearly 3000 RPM higher than most enthusiasts report with their original HEI.

Compared to the stock HEI, our units produce 67% more energy in the coil with 45% faster spark breakdown time and deliver twice the energy across the spark gap.



ADDITIONAL FEATURES AND SPECIFICATIONS:

- New aluminum housing machined from strong but light A384 alloy.
- Comes complete with high dielectric strength cap with solid brass terminals, low resistance center coil brush, balanced rotor and nylon hold down screws to prevent high RPM arcing.
- Factory installed adjustable vacuum advance canister and high performance mechanical advance curve kit with precision stamped weights and center plate.
- Meets stringent automobile susceptibility, vibration and shock requirements... impervious to typical automobile voltage transients.
- Legal in all 50 states and Canada (C.A.R.B. E.O. #D-57-5).
- Warranty: Limited One Year.

Finish

Black

Cap Color

Red

Blue

CHEVROLET

SB and BB engines (standard deck height)Cast	D1000	D1001	D1002
SB and BB engines (standard deck height)Machined	D1050	D1051	D1052

OLDSMOBILE

260-455 cid. V8 enginesCast	D1100	D1101	D1102
---------------------------------------	-------	-------	-------

PONTIAC

301-455 cid. V8 enginesCast	D1200	D1201	D1202
---------------------------------------	-------	-------	-------

FORD

221-302 cid. V8 enginesMachined	D1350		D1352
---	-------	--	-------

Flame-Thrower[®] RACE HEI

Compared to our street/strip version, the race version produces 42% more energy in the coil with 46% faster spark breakdown time allowing 48% more peak current to reach the spark plug. This abundant energy doubles the spark intensity during the critical one millisecond of burn time. A specially designed vacuum lockout mechanism prevents improper timing adjustments that change rotor phasing, adversely affecting the burn time and efficient fuel combustion. Rotor plates are welded to the mechanical advance mechanism preventing high RPM distortion while improving mechanical reliability. Race units come complete with a high dielectric strength cap with solid brass terminals, low resistance center coil brush, balanced rotor and nylon hold down screws to prevent high RPM arcing.



Finish

Black

Cap Color

Red

Blue

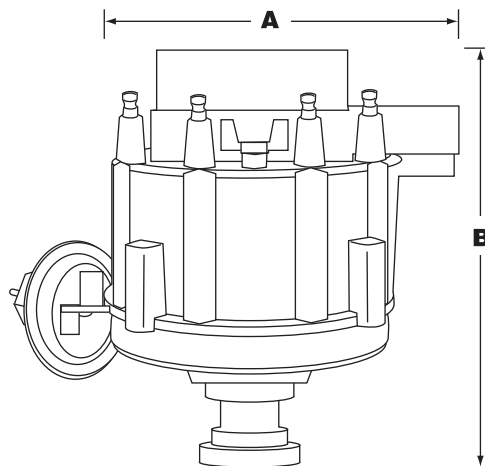
CHEVROLET

SB and BB engines (standard deck height)Cast	D1070	D1071	
--	-------	-------	--

FORD

221-302 cid. V8 enginesMachined	D1370		D1372
---	-------	--	-------

Distributor Application	Dimensions (inches)	
	A	B
Chevrolet	6.295	7.53
Oldsmobile	6.295	8.50
Pontiac	6.295	9.10
Ford	6.295	9.482



Flame-Thrower® HEI ACCESSORIES

High Performance 4 Pin Module

Develops 67% more energy than an OEM module and when teamed with the Flame-Thrower coil operates misfire free up to a minimum of 7500 RPM.

Street/Strip (E.O.# D-57-7)D2000
Race OnlyD2070



Flame-Thrower 50,000 Volt Coils

Feature an optimized winding design to maximize spark gap current and available voltage. When teamed with a Flame-Thrower module delivers twice the energy across the spark gap compared to the OEM HEI (during a one millisecond burn time). (See page 35 for application information)

Street/Strip coil, red/yellow wire (E.O.# D-57-6), 0.50 OhmD3000
Street/Strip coil, red/white wire (E.O.# D-57-6), 0.50 OhmD3001
Race Only coil, 0.40 OhmD3070



Flame-Thrower Tune-up Kits

Everything you need to "wake up" your stock Chevy, Olds, Pontiac or Buick distributor. Kits include street/strip module and coil combination, premium rotor and cap, custom Flame-Thrower coil cover, adjustable vacuum advance canister, hi-performance advance kit, wire harness and capacitor, and complete installation hardware.

(Kit numbers in chart below)



Wiring Harness and Capacitor

Premium quality wire harness and capacitor insure good connections and "static free" operation.

Harness/CapacitorD9007



Performance Advance Curve Kit

Precision stamped weights and center plate eliminate erratic timing... three sets of springs and complete installation instructions make recurring easy.

Advance Curve KitD9001



Adjustable Vacuum Advance Canister

Allows you to optimize ignition advance for maximum part throttle performance.

Adjustable Vacuum AdvanceD9006



Vacuum Advance Lockout

Clockwise LockoutD9010
Counter Clockwise LockoutD9011



Premium Caps and rotors

Made from hi-performance 60 KV rated alkyl molding compound for superior protection from "arc-thru" and cross-fire. Includes nylon rotor hold-down screws.

(Kit numbers in chart below)



Dust Cover only

Increased space helps coil run cooler.

HEI Coil Dust CoverD9000



	Cap Color		
	Black	Red	Blue

TUNE-UP KIT

Chevrolet and Cadillac V8 with 4 pin module	D8000	D8001	D8002
Buick, Oldsmobile, Pontiac and Corvette (1981-91) with 4 pin module	D8010	D8011	D8012

CAP AND ROTOR KIT

HEI premium cap and rotor	D4000	D4001	D4002
HEI premium cap only	D4050	D4051	D4052
HEI premium rotor only		D4061	D4062



FLAME-THROWER BILLET DISTRIBUTOR

NEW "PLUG N PLAY" TECHNOLOGY

Our new billet distributor for small and big block Chevy engines provides maximum ignition performance with ease of installation, all at a price you can afford. Now you can upgrade your outdated points, stock electronic or aftermarket distributor with a performance proven distributor that features the patented Ignitor II electronic ignition module. Housings are CNC machined from 6061 T-6 aluminum and polished to a show quality finish.

The internal Ignitor II electronic module uses a Hall Effect integrated circuit triggered by a special magnetic sleeve fitted to the distributor shaft resulting in stable timing and precise spark distribution. A powerful micro controller with adaptive dwell algorithms allows the Ignitor II module to adjust the dwell angle to maintain peak energy throughout the entire RPM range, increasing both high and low RPM performance. Our Ignitor II module also compensates for inherent electronic delay by adjusting the spark timing over the entire RPM range. Ignition energy is sustained with less heat build-up in the coil and module because peak current level is reached just prior to spark.

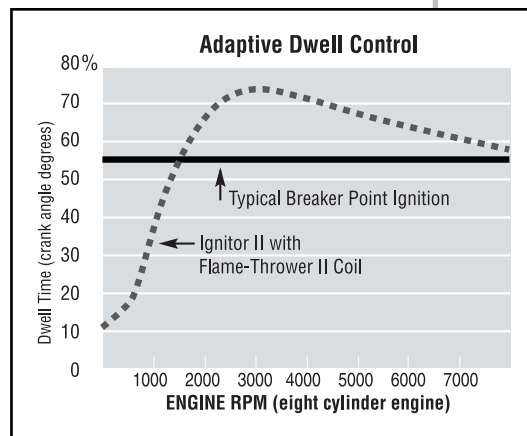
Compatible with most coils. For maximum high RPM performance use our low resistant (0.6 ohm) Flame-Thrower II coil.



**DISTRIBUTORS
FEATURE
IGNITOR II
TECHNOLOGY**

ADDITIONAL FEATURES AND SPECIFICATIONS:

- CNC machined housings have +0.000 to -0.003 tolerances.
- Tempered .500" diameter shaft has low torsion displacement resulting in more accurate timing and longer life.
- A top roller bearing and an oil impregnated bronze sintered bottom bushing reduce friction and high RPM vibration.
- A machined heat-treated gear insures durability plus a tighter mesh with the cam gear eliminating horsepower losses caused by timing fluctuations.
- Distributors come with a factory set performance advance curve. Additional springs are provided for custom advance curves.
- A proprietary mechanical advance adjustment feature is easy to use and allows a number of settings for limiting the maximum mechanical advance.
- High dielectric strength cap with brass terminals and premium rotor.
- Compatible with most Capacitive Discharge Systems.
- Legal in all 50 states and Canada. (C.A.R.B. E.O. #D-57-12).
- Warranty: 30 months Ignitor II module / Limited One Year mechanical.



Description

Description	Part No.
Billet Distributor Black Cap	D100700
Billet Distributor Red Cap	D100701

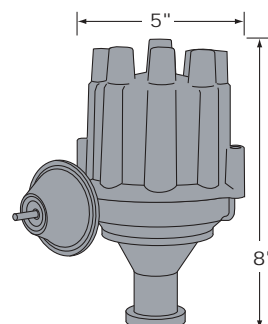
Part No.

REPLACEMENTS PARTS

Description

Description	Part No.
Black Cap and Rotor	D600700
Red Cap and Rotor	D600701
Black Distributor Cap	D650700
Red Distributor Cap	D650701
Rotor	D660701
Replacement Module	D500700
Replacement Vacuum Canister	D701700
Advance Spring Kit	D700700

Part No.



THE ULTIMATE IGNITION SYSTEM SUPPLEMENT

Second Strike is the only ignition system to provide a powerful second spark throughout the entire RPM range. Other multiple spark systems drop off to a single spark above 3000 RPM. The strength of Original Equipment or aftermarket inductive systems is a long burn time. The strength of an aftermarket capacitive discharge (CD) system is lots of energy. We have combined the best of both systems into one, with our Second Strike ignition. The inductive system provides the primary spark, while Second Strike follows it with a powerful (CD) second spark.

Control when the second spark occurs (in crank angle degrees) with an easy to use rotary dial. Adjustments from 2 (minimum) to 18 (maximum) degrees can be made even while the engine is running.

The Second Strike also features a built-in digital rev limiter, to protect the engine from overrev conditions. Set your desired RPM limit with two easy to use rotary dials. One spark after the rev limit is exceeded, the digital rev limiter controls RPMs by randomly stealing sparks, reducing plug fouling common with other limiters. Second Strike's tach output is compatible with most modern tachometers and requires no interface adapters.



- Applications Include:**
- Standard breaker point
 - GM HEI (4-pin)
 - PerTronix Ignitor, Ignitor II
 - Accel
 - DUI
 - Mallory
 - Moroso
 - MSD (Ready to Run distributors)
 - Pro-Form

ADDITIONAL FEATURES AND SPECIFICATIONS:

- An adaptive voltage feature prevents overdriving the primary ignition system's coil (-) with excessive voltage.
- To prevent overheating, a low voltage cutout ceases the Second Strike's operation when voltage drops below 9.5 volts without affecting the primary system's operation.
- Voltage protection prevents damage if the battery or ground leads are ever reversed.
- Compatible with 4, 6 and 8 cylinder engines.
- Adaptive voltage output ranges from 200 to 800 volts.
- Operates on 9.5 to 18 volts (neg. ground) and draws no current until the engine is running.
- Compact (4"x 6"x 3") and lightweight (2.3 lbs) makes either under-hood or in-car installation simple.
- Legal in all 50 states and Canada (C.A.R.B. E.O. #D-57-9).
- Warranty: Limited One Year.

Application Information:

For use with 12 volt negative ground, 4, 6 or 8 cylinder, even fire engines with single coil inductive ignition systems (excludes computer controlled vehicles).

	Part No.
Second Strike500

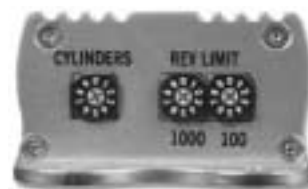
Digital REV Limiter

This microcontroller based digital unit provides much greater accuracy (+/-0.01%) than analog systems. Rotary switches permit easy setting and eliminate the need for chips or jumpers commonly found on other limiters. Settings in 100 RPM increments provide for accurate rev control. One spark after the rev limit is exceeded, the digital rev limiter controls RPMs by randomly stealing sparks, reducing plug fouling common with other limiters.

The digital rev limiter has two analog filters plus one digital filter that eliminates unwanted entry of voltage noise from coil (-). A tachometer output with TTL interface and near 50% duty cycle make our rev limiter compatible with most modern tachometers.

ADDITIONAL FEATURES AND SPECIFICATIONS:

- Operates on 6 to 18 volts. (12 volt negative ground)
- Voltage protection prevents damage if the battery or ground leads are ever reversed.
- Compatible with 4, 6 and 8 cylinder engines.
- 4 wire hook up makes installation easy.
- Compact size (2.5"x 3"x 1.4") enables mounting just about anywhere.
- Warranty: Limited One Year.



NOT FOR USE WITH CD IGNITION SYSTEMS.

Application Information:

For use with 4, 6 or 8 cylinder even fire engines.

	Part No.
Digital Rev Limiter600



HIGH PERFORMANCE COILS

THEY'RE HOT...

When your goal is a great spark, every component in the ignition system is important. Don't let your coil be the "weak link". To maximize energy and increase reliability over the entire RPM range, choose from our family of Flame-Thrower coils.

Canister style oil filled coils are available in chrome or black. Black epoxy filled coils are also available for high vibration conditions. Our black oil filled coil is perfect for those enthusiasts who want the benefits of high voltage, but want to maintain that "stock look". Simply remove the Flame-Thrower decal for that original look with unparalleled performance. All of our coils are backed by a 90 day warranty.



Legal in all 50 states and Canada,
CARB E.O. #D-57-10

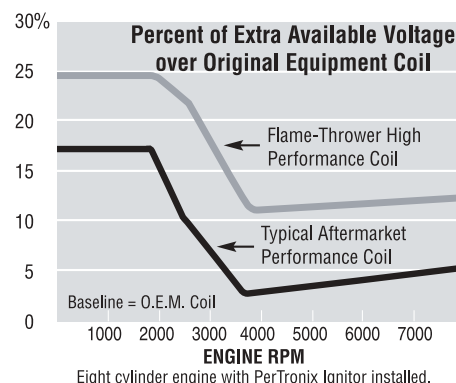
Flame-Thrower® 40,000 VOLTS

The Flame-Thrower 40,000 volt coil is designed for use with our (original) Ignitor and can be used with other induction ignition systems.

Description	Part No.
-------------	----------

CHROME, OIL FILLED 1.5 Ohm40001
BLACK, OIL FILLED 1.5 Ohm40011
BLACK, EPOXY 1.5 Ohm40111

CHROME, OIL FILLED 3.0 Ohm40501
BLACK, OIL FILLED 3.0 Ohm40511
BLACK, EPOXY 3.0 Ohm40611



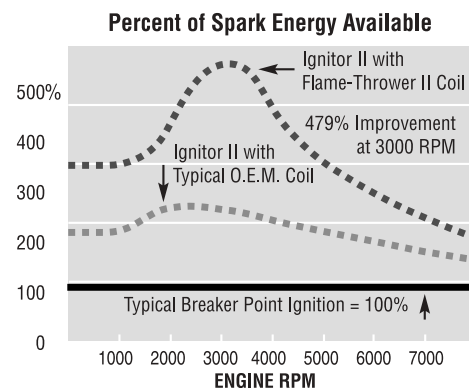
Flame-Thrower® II 45,000 VOLTS

The Flame-Thrower II 45,000 volt coil is a super low 0.6 ohm resistance coil designed for use with our Ignitor II and is compatible with capacitive discharge systems (CD box).

Description	Part No.
-------------	----------

CHROME, OIL FILLED 0.6 Ohm45001
BLACK, OIL FILLED 0.6 Ohm45011
BLACK, EPOXY 0.6 Ohm45111

NOTE: NOT FOR USE WITH (ORIGINAL) IGNITOR IGNITION.



INDUSTRIAL / AGRICULTURAL 28,000 VOLT COIL

This coil is designed specifically for 4 and 6 cylinder agricultural and industrial applications that run propane or natural gas. Features include a reduced winding turns ratio and 3.0 ohm primary resistance. This combination trades off high voltage for increased current levels, boosting the burn time after the spark break down.



Description	Part No.
-------------	----------

BLACK, OIL FILLED 3.0 Ohm28010
-------------------------------------	--------

Flame-Thrower® 50,000 VOLTS

The Flame-Thrower HEI coil features an optimized winding design to maximize spark gap current and available voltage. When teamed with the Flame-Thrower module it delivers twice the energy across the spark plug gap (during a one millisecond burn time) compared to the OEM HEI.



Street/Strip version
Legal in all 50 states
and Canada
(CARB E.O. #D-57-6).

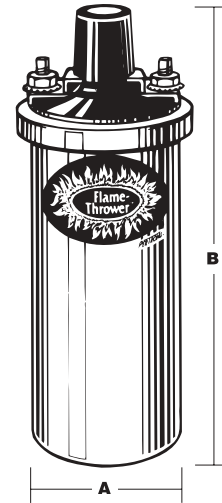
Description	Part No.
Chevrolet 90° V6, most V8, 0.50 Ohm	.D3000
Chevrolet Corvette (1991-81), 0.50 Ohm	.D3001
Cadillac V8, 0.50 Ohm	.D3000
Buick V6 and V8, 0.50 Ohm	.D3001
Oldsmobile V8, Pontiac V8, 0.50 Ohm	.D3001
Race Only, 0.40 Ohm	.D3070

For additional Performance HEI products see our HEI accessories section on page 31 of this catalog.

COIL SELECTION GUIDE

Flame-Thrower® 40,000 VOLTS

Ignition	Cyl	Use	Description	Part No.
IGNITOR	8	CITY	Chrome (oil filled) 1.5 ohm	40001
			Black (oil filled) 1.5 ohm	40011
			Black (epoxy) 1.5 ohm	40111
		RACING	Chrome (oil filled) 1.5 ohm	40001
			Black (oil filled) 1.5 ohm	40011
			Black (epoxy) 1.5 ohm	40111
	6	CITY	Chrome (oil filled) 3.0 ohm	40501
			Black (oil filled) 3.0 ohm	40511
			Black (epoxy) 3.0 ohm	40611
		RACING	Chrome (oil filled) 1.5 ohm	40001
			Black (oil filled) 1.5 ohm	40011
			Black (epoxy) 1.5 ohm	40111
4	CITY	Chrome (oil filled) 3.0 ohm	40501	
		Black (oil filled) 3.0 ohm	40511	
		Black (epoxy) 3.0 ohm	40611	
	RACING	Chrome (oil filled) 1.5 ohm	40001	
		Black (oil filled) 1.5 ohm	40011	
		Black (epoxy) 1.5 ohm	40111	



Coil Type	Dimensions (inches)	
	A	B
Oil filled	2.125	6.00
Epoxy	2.155	5.45

Flame-Thrower® II 45,000 VOLTS *

Ignition	Cyl	Use	Description	Part No.
Ignitor II	8	CITY	Chrome (oil filled) 0.6 ohm	45001
			Black (oil filled) 0.6 ohm	45011
			Black (epoxy) 0.6 ohm	45111
		RACING	Chrome (oil filled) 0.6 ohm	45001
			Black (oil filled) 0.6 ohm	45011
			Black (epoxy) 0.6 ohm	45111
	6	CITY	Chrome (oil filled) 0.6 ohm	45001
			Black (oil filled) 0.6 ohm	45011
			Black (epoxy) 0.6 ohm	45111
		RACING	Chrome (oil filled) 0.6 ohm	45001
			Black (oil filled) 0.6 ohm	45011
			Black (epoxy) 0.6 ohm	45111
4	CITY	Chrome (oil filled) 0.6 ohm	45001	
		Black (oil filled) 0.6 ohm	45011	
		Black (epoxy) 0.6 ohm	45111	
	RACING	Chrome (oil filled) 0.6 ohm	45001	
		Black (oil filled) 0.6 ohm	45011	
		Black (epoxy) 0.6 ohm	45111	

REPLACEMENT COIL BRACKET



Part No.
Coil Bracket Chrome Plated10002
Coil Bracket Zinc Plated10001

* NOT FOR USE WITH (ORIGINAL) IGNITOR IGNITION.



PERFORMANCE SPARK PLUG WIRES

Flame-Thrower® 7.0mm "STOCK LOOK"

Now you can get a high performance wire with a stock look! We've taken our 8.0mm wire, which is designed to meet the demands of the high performance engines, and offer it with exactly the same features in 7.0mm flat black. You can now have the best of both worlds - "state-of-the-art high performance wire and a stock look." These wires have no lettering (except for our VW custom fit sets) and will fit the original wire looms. We offer custom fit sets for many American cars and universal sets in 90 and 180 degree boot angles. Our 7.0mm wire is available for air cooled Volkswagens in flat black "stock look", no lettering, and in blue, red or yellow, with "Flame-Thrower" lettering. All VW kits are custom fit kits.

Flame-Thrower® 8.0mm MAGx2

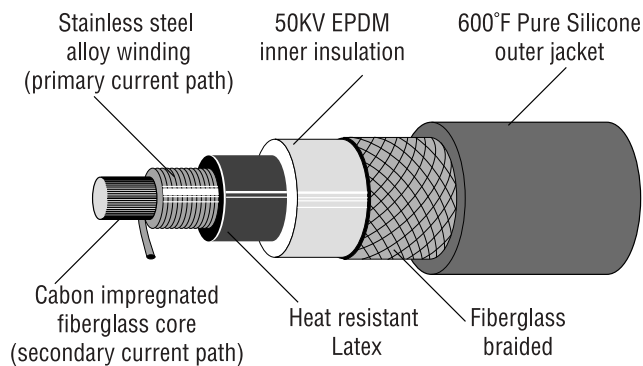
If your engine compartment needs that 8.0mm "high performance" look, our wires are available in universal sets for most applications, universal (with VW boot) for air cooled Volkswagen, and custom fit sets for HEI applications. You can choose from black, red or blue, with white lettering, and 90, 115 or 180 (straight) degree spark plug boots. The distributor boot angle is 90 degrees on all universal sets.



ADDITIONAL FEATURES AND SPECIFICATIONS:

Flame-Thrower spark plug wires are designed to give you the ultimate in high performance and exactly the look you want in your engine compartment. All of our wires share the following features:

- Two current paths for reliability and redundancy
primary path: Spiral wound stainless steel alloy
secondary path: Carbon impregnated fiberglass center core
- Low 500 ohm per foot resistance.
- Silicone jackets to resist high temperatures, moisture, oil and chemicals.
- EPDM (Ethylene Propylene Diene Monomer) rubber inner insulation for superior heat resistance and prevention of arcing and voltage leaks.
- Fiberglass reinforcing braid for added strength and flexibility.
- Lifetime Warranty
- Made in U.S.A.



Remember...
Both 7.0mm and 8.0mm
Flame-Thrower wire sets
share the same performance
features!

Flame-Thrower[®] UNIVERSAL WIRE SETS

Year	Make / Model	Cyl	Boot Angle		Black	Part No.		
			Plug	Dist.		Blue	Red	
UNIVERSAL WIRE SETS								
	7.0mm STOCK-LOOK UNIVERSAL	8	180	90	708180			
	7.0mm STOCK-LOOK UNIVERSAL	8	90	90	708190			
	8.0mm MAGx2 UNIVERSAL	4	180	90	804280	804380	804480	
	8.0mm MAGx2 UNIVERSAL VW STYLE BOOTS	4	180	90	8042VW	8043VW	8044VW	
	8.0mm MAGx2 UNIVERSAL	8	115	90	808215	808315	808415	
	8.0mm MAGx2 UNIVERSAL	8	180	90	808280	808380	808480	
	8.0mm MAGx2 UNIVERSAL	8	90	90	808290	808390	808490	

NOTES All universal spark plug wire kits come with terminals and boots for both male and female style distributor caps.

Flame-Thrower[®] CUSTOM FIT 7.0mm "STOCK LOOK" WIRE SETS

Year	Make / Model	Cyl	Boot Angle		Part No.
			Plug	Dist.	
AMERICAN MOTORS					
1984-67	All 8 cylinder engines	8	180	180	708102
1966-60	All 8 cylinder engines	8	180	90	708104
BUICK					
Centurion, Electra, LeSabre, Riviera, Wildcat, Park Avenue					
1974-70	All 8 cylinder engines without HEI distributor	8	180	180	708102
1969-67	350, 400, 430, 455 engines	8	180	180	708102
1967	340 engines	8	180	90	708105
1966-60	All 8 cylinder engines	8	180	90	708105
Apollo, Century, Regal, Skyhawk, Skylark, Special, Super					
1974-68	All 6 cylinder engines	6	180	90	706101
1974-68	All 8 cylinder engines	8	180	180	708102
1967	400 engines	8	180	180	708102
1967-53	All 8 cylinder engines (excluding 1967 400 engines)	8	90	180	708103
CADILLAC					
1974-63	All 8 cylinder engines without HEI distributor	8	180	180	708102
1962-59	All 8 cylinder engines	8	90	180	708103
1958-54	All 8 cylinder engines	8	180	180	708102
CHEVROLET					
BelAir, Biscayne, Caprice, Impala					
1973-63	All 6 cylinder engines	6	180	90	706101
1974-71	307, 350, 400 engines without HEI distributor	8	90	180	708103
1974-65	396, 402, 427, 454 engines without HEI distributor	8	180	180	708102
1970-55	283, 307, 327, 350, 400 engines	8	90	180	708101
1965-58	348, 409 engines	8	180	90	708105
Camaro, Z-28, IROC-Z					
1974-67	All 6 cylinder engines	6	180	90	706101
1974-67	283, 302, 307, 327, 350 engines without HEI distributor	8	90	180	708103
1972-67	396, 402, 427, 454 engines	8	180	180	708102
Celebrity, Citation, Chevy II, Nova					
1974-62	All 6 cylinder engines	6	180	90	706101
1974-68	307, 327, 350 engines without HEI distributor	8	90	180	708103
1970-68	396, 402 engines	8	180	180	708102
Chevelle, El Camino, Monte Carlo					
1974-64	All 6 cylinder engines	6	180	90	706101
1974-64	283, 307, 327, 350, 400 engines without HEI distributor	8	90	180	708103
1974-65	396, 402, 427, 454 engines	8	180	180	708102
Corvette					
1974-65	396, 427, 454 engines	8	180	180	708102
1974-55	265, 283, 327, 350 engines without HEI distributor	8	90	180	708101

CUSTOM FIT 7MM "STOCK-LOOK" WIRE SETS

Year	Make / Model	Cyl	Plug	Boot Angle Dist.	Part No.
CHEVROLET TRUCK/GMC TRUCK					
1974-70	250, 292 engines	6	180	90	706101
1969-66	G10, 20 Vans with 6 cylinder engines	6	180	90	706101
1969-63	C, K 10, 20, 30 with 6 cylinder engines	6	180	90	706101
1974-73	307, 350 engines	8	90	180	708103
1974	454 engines	8	180	180	708102
1974	P Models with 400, 454 engines	8	90	180	708103
1972	1 Ton & Up with 366 engines	8	180	180	708102
1972-69	396, 402, 454 engines	8	180	180	708102
1972-55	283, 307, 327, 350 engines	8	90	180	708101
CHRYSLER					
1989-79	5.2L 318, 5.9L 360 engines	8	180	90	708105
1978-75	318, 340, 360 engines	8	180	90	708105
1972-71	383, 400, 440 engines	8	90	90	708107
1972-71	Royal with 360 engines	8	180	90	708105
1970-65	All 8 cylinder engines (excluding 1966 Imperial)	8	90	90	708107
1961-59	All 8 cylinder engines with Ram Induction (excluding Hemi engines)	8	90	90	708107
1958-55	All 8 cylinder engines (excluding Hemi engines)	8	180	90	708105
DODGE					
1989-79	5.2L 318, 5.9L 360 engines	8	180	90	708105
1978-72	318, 340, 360 engines	8	180	90	708105
1972-62	361, 383, 400, 440 engines	8	90	90	708107
1972-60	273, 318, 340, 360 engines	8	180	90	708105
1962-60	383 engines with Ram Induction	8	90	90	708107
1957-56	All 8 cylinder engines (excluding Hemi engines)	8	180	90	708105
DODGE TRUCK					
1989-74	5.2L 318, 5.6L 340, 5.9L 360 engines	8	180	90	708105
1973-72	318, 360 engines with electronic ignition	8	180	90	708105
1973-72	318, 360 engines with points ignition	8	90	90	708107
1971-61	318 engines	8	180	90	708105
1971-61	383 engines	8	90	90	708107
FORD					
Custom, Galaxie, LTD, Crown Victoria					
1964-54	All 6 cylinder engines	6	180	90	706101
1978-77	351W, 460 engines	8	115	90	708106
1977	302 engines	8	115	90	708106
1976-73	All 8 cylinder engines	8	180	90	708104
1972-70	302, 351W engines	8	180	90	708105
1972-70	351C, 390, 400, 429 engines	8	180	90	708104
1969-68	302, 351 engines	8	180	90	708105
1969-67	390, 427, 428, 429 engines	8	180	90	708104
1967-54	All 8 cylinder engines (excluding 292 engines)	8	180	90	708105
Fairlane, Torino, LTD II, Ranchero					
1973-54	All 6 cylinder engines	6	180	90	706101
1978-77	351W engines	8	115	90	708106
1977	302 engines	8	115	90	708106
1976-75	302, 351W, 351C, 400 engines	8	180	90	708104
1974-72	All 8 cylinder engines	8	180	90	708104
1971-67	289, 302, 351W engines	8	180	90	708105
1971-67	351C, 390, 429 engines	8	180	90	708104
1966-62	All 8 cylinder engines	8	180	90	708105
Fairmont, Maverick					
1976-75	200, 250 engines	6	180	90	706101
1974-70	All 6 cylinder engines	6	180	90	706101
1977	302 engines	8	115	90	708106
1976-75	302 engines	8	180	90	708104
1974-71	302 engines	8	180	90	708105
Falcon					
1970-63	All 6 cylinder engines	6	180	90	706101
1970-63	All 8 cylinder engines	8	180	90	708105
Granada					
1976-75	200, 250 engines	6	180	90	706101
1978-77	351W engines	8	115	90	708106
1977	302 engines	8	115	90	708106
1976-75	302, 351W engines	8	180	90	708104
Mustang, Mustang II, Pinto					
1973-65	All 6 cylinder engines	6	180	90	706101

CUSTOM FIT 7MM "STOCK-LOOK" WIRE SETS

Year	Make / Model	Cyl	Boot Angle Plug Dist.	Part No.
FORD (CONTINUED)				
1977	302 engines	8	115 90	708106
1976-75	302 engines	8	180 90	708104
1973-72	302, 351C engines	8	180 90	708104
1971-67	351, 390, 428, 429 engines	8	180 90	708104
1971-65	289, 302 engines	8	180 90	708105
Thunderbird				
1978-77	351W engines	8	115 90	708106
1977	302 engines	8	115 90	708106
1976-67	All 8 cylinder engines	8	180 90	708104
1966-58	All 8 cylinder engines	8	180 90	708105
FORD TRUCK				
1964-56	All 6 cylinder engines	6	180 90	706101
1987-77	460 engines	8	115 90	708106
1979-77	351W engines	8	115 90	708106
1977	302 engines	8	115 90	708106
1976-75	All 8 cylinder engines	8	180 90	708104
1974-70	302 engines	8	180 90	708105
1974-69	360, 390 engines	8	180 90	708104
1969	302, 351 engines	8	180 90	708105
1968-65	289, 302, 330, 352, 390 engines	8	180 90	708105
1962	F-100, F-250 with 8 cylinder engines	8	180 90	708104
INTERNATIONAL TRUCK				
1977-75	Scout, Traveller	8	180 90	708104
1974	Scout, Travelall with 304 engine	8	180 90	708104
JEEP				
1982-71	All 8 cylinder engines	8	180 180	708102
1971-68	J Series with 350 engines	8	180 180	708102
1968-66	J Series 327 engines	8	180 90	708105
LINCOLN				
1978-77	351, 460 engines	8	115 90	708106
1977	302 engines	8	115 90	708106
1976-75	460 engines	8	180 90	708104
1974-61	All 8 cylinder engines	8	180 90	708104
MERCURY				
Marauder, Marquis, Monterey				
1978-77	351W, 460 engines	8	115 90	708106
1977	302 engines	8	115 90	708106
1976-75	351C, 400, 460 engines	8	180 90	708104
1974-65	All 8 cylinder engines	8	180 90	708104
1964-61	All 8 cylinder engines	8	180 90	708104
Capri, Comet, Zephr, Bobcat				
1976-60	200, 250 engines	6	180 90	706101
1977	302 engines	8	115 90	708106
1976-75	302 engines	8	180 90	708104
1974-71	All 8 cylinder engines	8	180 90	708140
1970-63	221, 260, 289, 302 engines	8	180 90	708105
Cougar, XR-7				
1978-77	351W engines	8	115 90	708106
1977	302 engines	8	115 90	708106
1976-72	351C, 351W, 400, 460 engines	8	180 90	708104
1971-67	289, 302 engines	8	180 90	708105
1971-67	390, 400, 427, 428 engines	8	180 90	708104
Monarch				
1976-75	200, 250 engines	6	180 90	706101
1978-77	351W engines	8	115 90	708106
1977	302 engines	8	115 90	708106
1976-75	302, 351W engines	8	180 90	708104
Montego				
1973-68	All 6 cylinder engines	6	180 90	706101
1976-75	351, 400, 460 engines	8	180 90	708104
1974-71	All 8 cylinder engines	8	180 90	708104
1970-68	289, 302, 351 engines	8	180 90	708105
1970-68	390, 400, 427, 428 engines	8	180 90	708104

CUSTOM FIT 7MM "STOCK-LOOK" WIRE SETS

Year	Make / Model	Cyl	Plug	Boot Angle Dist.	Part No.
OLDSMOBILE					
88, 98, Delta 88, Toronado					
1974-71	350, 455 engines without HEI distributor	8	180	90	708105
1970-49	All 8 cylinder engines	8	180	90	708105
Calais, Ciera, Omega					
1974-73	250 engines	6	180	90	706101
1974-73	350 engines	8	180	90	708105
Cutlass Supreme, F85, 442					
1974-68	All 6 cylinder engines	6	180	90	706101
1974-68	350, 400 455 engines	8	180	90	708105
1967-64	330, 400 engines	8	180	90	708105
PLYMOUTH					
1989-60	273, 318, 340, 360 engines.	8	180	90	708105
1972-69	383, 400, 440 engines	8	90	90	708107
1968-64	361, 383, 413, 426 engines (excluding Hemi engines)	8	90	90	708107
1961-60	383 engines with Ram Induction	8	90	90	708107
PONTIAC					
Bonneville, Catalina, Grand Prix					
1974-72	350, 400, 455 engines	8	180	180	708102
1971-60	All 8 cylinder engines	8	180	180	708102
Firebird, Trans Am, Formula, GTA					
1974-67	All 6 cylinder engines	6	180	90	706101
1974-67	All 8 cylinder engines	8	180	180	708102
Fiero, Grand Am, Phoenix, Sunbird, Ventura, J-2000, 6000, STE					
1974-71	All 6 cylinder engines	6	180	90	706101
1974-71	All 8 cylinder engines without HEI distributor	8	180	180	708102
Tempest, LeMans, GTO					
1974-64	All 6 cylinder engines	6	180	90	706101
1974-64	All 8 cylinder engines without HEI distributor	8	180	180	708102
1963-62	All 8 cylinder engines	8	180	90	708105
VOLKSWAGEN					
1979-61	All 4 cylinder type I engines (Black Wires) No Script	4	180	180	704101
1979-61	All 4 cylinder type I engines (Blue Wires) with Flame-Thrower Script	4	180	180	704301
1979-61	All 4 cylinder type I engines (Red Wires) with Flame-Thrower Script	4	180	180	704401
1979-61	All 4 cylinder type I engines (Yellow Wires) with Flame-Thrower Script	4	180	180	704501



CUSTOM FIT 8MM MAGX2 HEI WIRE SETS

Year	Make / Model	Cyl	Boot Angle		Black	Part No.		
			Plug	Dist.		Blue	Red	
BUICK								
1990-81	Estate Wagon 5.0L 307	8	90	90	808204	808305	808406	
1987-86	Regal 5.0L 307	8	90	90	808204	808305	808406	
1987	Regal 5.0L 305, (Canada only)	8	90 (c)	90	808207	808308	808409	
1985-80	Riviera 5.0L 307	8	90	90	808204	808305	808406	
1984-81	LeSabre 5.0L 307	8	90	90	808204	808305	808406	
1983-81	Electra 5.0L 307	8	90	90	808204	808305	808406	
1981-80	Century, Regal with Pontiac 4.3L 265 engine	8	90	90	808201	808302	808403	
1981-77	LeSabre with Pontiac 4.9L 301 engine	8	90	90	808201	808302	808403	
1981	Electra, LeSabre 5.7L 350 (Canada only)	8	90	90	808201	808302	808403	
1980-79	Century, Regal with Pontiac 4.9L 301 engine	8	90	90	808201	808302	808403	
1980-78	Electra, LeSabre, Riviera 5.7L 350	8	90	90	808201	808302	808403	
1980-77	Electra, LeSabre, Riviera with Oldsmobile 5.7L 350 engine	8	90	90	808204	808305	808406	
1979-77	Electra, LeSabre with Oldsmobile 403 engine	8	90	90	808204	808305	808406	
1979	Skylark with Chevrolet 305-350 engine	8	90	90	808210	808311	808412	
1978-77	Riviera with Oldsmobile 403 engine	8	90	90	808204	808205	808406	
1978-77	Skylark with Chevrolet 305-350 engine	8	90	90	808210	808311	808412	
1978	Century with Chevrolet 305-350 engine	8	90 (c)	90	808207	808308	808409	
1978	LeSabre with Chevrolet 305-350 engine	8	90	90	808210	808311	808412	
1978	Regal with Chevrolet 305-350 engine	8	90 (c)	90	808207	808308	808409	
1977-75	Skylark with Oldsmobile 350 engine	8	90	90	808204	808305	808406	
1977-74	Century, Electra, LeSabre, Regal, Riviera 350	8	90	90	808201	808302	808403	
1977	Century, Regal with Chevrolet 305-350 engine	8	90	90	808210	808311	808412	
1977	Century, Regal with Oldsmobile 350-403 engine	8	90	90	808204	808305	808406	
1977	Skylark with Pontiac 301 engine	8	90	90	808201	808302	808403	
1976-75	Skylark 350	8	90	90	808201	808302	808403	
1976-75	Skylark with Oldsmobile 260 engine	8	90	90	808204	808305	808406	
1975-74	Apollo 350	8	90	90	808201	808302	808403	
1975	Apollo with Oldsmobile 260 engine	8	90	90	808204	808305	808406	
1975	LeSabre with Pontiac 400 engine	8	90	90	808201	808302	808403	
CADILLAC								
1990-86	Fleetwood Brougham 5.0L 307	8	90	90	808204	808305	808406	
1980-76	Eldorado, Seville w/fuel inj 5.7L 350	8	90	90	808204	808305	808406	
CHEVROLET								
1990-87	Caprice 5.0L 307	8	90	90	808204	808305	808406	
1987-86	Impala 5.0L 307	8	90	90	808204	808305	808406	
1986-84	Camaro with high output, 4BBL 5.0L 305	8	90 (c)	90	808207	808308	808409	
1986-84	Monte Carlo SS with high output, 4BBL 5.0L 305	8	90 (c)	90	808207	808308	808409	
1986-83	Camaro 5.0L 305	8	90 (c)	90	808207	808308	808409	
1986-83	Caprice, Impala 5.7L 350	8	90 (c)	90	808207	808308	808409	
1986-81	Caprice, Impala, Monte Carlo 5.0L 305	8	90 (c)	90	808207	808308	808409	
1983-81	Malibu 5.0L 305	8	90 (c)	90	808207	808308	808409	
1983	Camaro 5.0L 305 with cross-fire inj, 5.0L 305	8	90 (c)	90	808207	808308	808409	
1982-81	Caprice, Impala, Malibu, Monte Carlo 4.4L 267	8	90 (c)	90	808207	808308	808409	
1982-80	Caprice, Impala 5.7L 350	8	90 (c)	90	808207	808308	808409	
1982-74	Corvette 5.7L 350	8	90 (d)	90	808213	808314	808419	
1980	Camaro 4.4L 267, 5.0L 305, 5.7L 350 (excluding California)	8	90	90	808210	808311	808412	
1979-77	Caprice, Impala 305	8	90	90	808210	808311	808412	
1979-76	Camaro, Nova 305	8	90	90	808210	808311	808412	
1979-74	Camaro, Caprice, Impala, Nova 350	8	90	90	808210	808311	808412	
1978	Malibu, Monte Carlo 305, 350	8	90 (c)	90	808207	808308	808409	
1977-76	Malibu, Monte Carlo, Monza 305	8	90	90	808210	808311	808412	
1977-74	Malibu, Monte Carlo 350	8	90	90	808210	808311	808412	
1976-74	Caprice, Chevelle, Impala, 350	8	90	90	808210	808311	808412	
1976-74	Caprice, Impala 454	8	180	90	808216	808317	808418	
1976	Chevelle 305	8	90	90	808210	808311	808412	
1975-74	Belair 350	8	90	90	808210	808311	808412	
1975-74	Belair, Chevelle, Mailbu, Monte Carlo 454	8	180	90	808216	808317	808418	
1975	Nova 262	8	90	90	808210	808311	808412	
1974	Corvette 454Z	8	180	90	808216	808317	808418	

NOTES

- C. Uses two 180 degree (straight) boots. May not fit with headers.
- D. Uses 90 degree spark plug boots, under exhaust design.

CUSTOM FIT 8MM MAGX2 HEI WIRE SETS

Year	Make / Model	Cyl	Boot Angle		Black	Part No.		
			Plug	Dist.		Blue	Red	
CHEVROLET / GMC TRUCK								
1989-88	2500HD, 3500 PU with 4BBL 5.7L 350	8	90	90	808210	808311	808412	
1988-87	G30, 35, P Series Van with 4BBL 5.7L 350	8	90	90	808210	808311	808412	
1988-87	Motor Home Chassis with 4BBL 5.7L 350	8	90	90	808210	808311	808412	
1988-87	Suburban with 4BBL 5.7L 350	8	90	90	808210	808311	808412	
1986-83	Blazer, Jimmy, PU, Suburban 5.0L 305, 5.7L 350	8	90 (c)	90	808207	808308	808409	
1986-81	El Camino, Cabellero 5.0L 305	8	90 (c)	90	808207	808308	808409	
1986-81	G, P Series Vans, Motor Home Chassis 5.0L 305, 5.7L 350	8	90	90	808210	808311	808412	
1986-81	Suburban 5.0L 305, 5.7L 350	8	90	90	808210	808311	808412	
1985-80	Suburban, 2500HD, 3500 PU 7.4L 454	8	180	90	808216	808317	808418	
1985-80	Motor Home Chassis, P Series Van 7.4L 454	8	180	90	808216	808317	808418	
1982-81	El Camino, Cabellero 4.4L 267	8	90 (c)	90	808207	808308	808409	
1982-75	Motor Home, P Series Van 6.0L 366, 7.0L 427	8	180	90	808216	808317	808418	
1981	El Camino, Cabellero, with Pontiac 4.3L 265 engine	8	90	90	808201	808302	808403	
1980-75	Blazer, Jimmy, PU, Van, Suburban 305, 350, 400	8	90	90	808210	808311	808412	
1979-75	PU, Motor Home Chassis, Van, Suburban 7.4L 454	8	180	90	808216	808317	808418	
1978	El Camino, Cabellero 305, 350	8	90 (c)	90	808207	808308	808409	
1977-74	El Camino, Cabellero 305, 350	8	90	90	808210	808311	808412	
OLDSMOBILE								
1990-85	Custom Cruiser 5.0L 307	8	90	90	808204	808305	808406	
1988-81	Cutlass Supreme 5.0L 307	8	90	90	808204	808305	808406	
1985-80	Toronado 5.0L 307	8	90	90	808204	808305	808406	
1984-80	98, Delta 88 5.0L 307	8	90	90	808204	808305	808406	
1982-75	Cutlass Supreme, Delta 88 4.3L 260	8	90	90	808204	808305	808406	
1980-79	Toronado with Chevrolet 5.7L 350 engine	8	90	90	808204	808305	808406	
1980-76	98, Cutlass, Delta 88 with Chevrolet 5.7L 350 engine	8	90	90	808204	808305	808406	
1979-77	98, Cutlass, Delta 88 403	8	90	90	808204	808305	808406	
1979-77	Omega with Chevrolet 305, 350 engine	8	90	90	808210	808311	808412	
1979	Delta 88 with Pontiac 301 engine	8	90	90	808201	808302	808403	
1978-77	Toronado 403	8	90	90	808204	808305	808406	
1978	Cutlass with Chevrolet 305, 350 engine	8	90 (c)	90	808207	808308	808409	
1977-74	Omega 260, 350	8	90	90	808204	808305	808406	
1977	Delta 88, Starfire with Chevrolet 305, 350 engine	8	90	90	808210	808311	808412	
1976-74	98, Cutlass, Delta 88, Toronado 350, 455	8	90	90	808204	808305	808406	
PONTIAC								
1989-86	Safari Wagon 5.0L 307	8	90	90	808204	808305	808406	
1986-84	Firebird with 4BBL 5.0L 305	8	90 (c)	90	808207	808308	808409	
1986-83	Bonneville, Grand Prix, Parisienne, Safari Wagon 5.0L 305	8	90 (c)	90	808207	808308	808409	
1986-82	Firebird 5.0L 305	8	90 (c)	90	808207	808308	808409	
1986	Parisienne 5.0L 307	8	90	90	808204	808305	808406	
1983	Firebird 5.0L 305 with cross-fire inj	8	90 (c)	90	808207	808308	808409	
1982-81	Bonneville, Grand Prix 4.4L 267	8	90 (c)	90	808207	808308	808409	
1981-80	Bonneville, Catalina, Grand Prix, LeMans 4.4L 265	8	90	90	808201	808302	808403	
1981-80	Firebird 4.9L 301	8	90	90	808201	808302	808403	
1981	Bonneville, Catalina 5.0L 307	8	90	90	808204	808305	808406	
1981	Catalina, LeMans 4.4L 267	8	90 (c)	90	808207	808308	808409	
1981	Firebird 4.4L 265	8	90	90	808201	808302	808403	
1980-78	Bonneville, Catalina, with Buick 5.7L 350 engine	8	90	90	808201	808302	808403	
1980-78	Grand Am 4.9L 301	8	90	90	808201	808302	808403	
1980-77	Bonneville, Catalina, Grand Prix, LeMans 4.9L 301	8	90	90	808201	808302	808403	
1980-77	Bonneville, Catalina, with Oldsmobile 5.7L 350 engine	8	90	90	808204	808305	808406	
1980	Firebird 5.0L 305	8	90	90	808210	808311	808412	
1979-78	Firebird with Chevrolet 350 engine	8	90	90	808210	808311	808412	
1979-77	Bonneville, Catalina, Firebird, with Oldsmobile 403 engine	8	90	90	808204	808305	808406	
1979-77	Firebird 301	8	90	90	808201	808302	808403	
1979-77	Phoenix with Chevrolet 350 engine	8	90	90	808210	808311	808412	
1979-73	Firebird 400	8	90	90	808201	808302	808403	
1979-77	Firebird, Phoenix with Chevrolet 305 engine	8	90	90	808210	808311	808412	
1978-77	LeMans with Chevrolet 305 engine	8	90 (c)	90	808207	808308	808409	
1978-73	Bonneville, Catalina 400	8	90	90	808201	808302	808403	
1978	Grand Am, LeMans with Chevrolet 305, 350 engine	8	90 (c)	90	808207	808308	808409	

NOTES

- C. Uses two 180 degree (straight) boots. May not fit with headers.
- D. Uses 90 degree spark plug boots, under exhaust design.

CUSTOM FIT 8MM MAGX2 HEI WIRE SETS

Year	Make / Model	Cyl	Boot Angle		Black	Part No.		
			Plug	Dist.		Blue	Red	
PONTIAC (CONTINUED)								
1978	Grand Prix with Chevrolet 305, 350 engine	8	90	90	808210	808311	808412	
1977-76	Bonneville, Catalina, Grand Prix 350	8	90	90	808201	808302	808403	
1977-73	Firebird, LeMans 350	8	90	90	808201	808302	808403	
1977-73	Grand Prix, LeMans 400	8	90	90	808201	808302	808403	
1977	Grand Prix, LeMans with Oldsmobile 350, 403 engine	8	90	90	808204	808305	808406	
1977	Phoenix, Ventura with Oldsmobile 350, 403 engine	8	90	90	808204	808305	808406	
1977	Ventura, with Chevrolet 305, 350 engine	8	90	90	808210	808311	808412	
1977	Ventura 301	8	90	90	808201	808302	808403	
1976-75	Ventura with Oldsmobile 260 engine	8	90	90	808204	808305	808406	
1976-73	Bonneville, Catalina, Grand Prix, LeMans 455	8	90	90	808201	808302	808403	
1976-73	LeMans 350	8	90	90	808201	808302	808403	
1976	LeMans with Oldsmobile 260 engine	8	90	90	808204	808305	808406	
1975-73	Grand Am, Grandville 350, 400, 455	8	90	90	808201	808302	808403	

NOTES

- C. Uses two 180 degree (straight) boots. May not fit with headers.
- D. Uses 90 degree spark plug boots, under exhaust design.



INDUSTRIAL Electronic Distributor



NEVER CHANGE POINTS AGAIN!

THE MAINTENANCE STOPS HERE!

PerTronix has been the leading producer of electronic ignition distributors for industrial engines since 1985. Most gas and propane Wisconsin and Continental engines are factory equipped with our industrial distributor. Proven performance with, reduced maintenance downtime, improved fuel economy and faster starts every time extending spark plug life two to three times.

These distributors will directly replace many Delco and Prestolite distributors quickly and easily. Distributors feature Ignitor technology with Hall Cell sensing eliminating the need for points and condenser. The light weight but strong housings have a superior venting system and come with a non-tracking cap, rotor and dust cover. An "O" ring seal reduces oil leakage around the distributor.



DISTRIBUTORS FEATURE IGNITOR TECHNOLOGY

PerTronix Electronic Distributor

ADDITIONAL FEATURES AND SPECIFICATIONS:

- Epoxy encapsulated module protects against moisture, dust, dirt and oil.
- No external electronic "black box" required.
- Precision engineered to switch twice the energy of any other electronic ignition system.
- Timing remains constant with an amazing 1/4° accuracy all the way down to zero RPM.
- Temperature range -50 to 300° F with coil rise time of 25 microseconds over the entire temperature range
- Effective RPM range of 0 to 6000
- Warranty: 30 months Ignitor module / 90 days mechanical

Year	Cyl	Make / Model	
ALLIS CHALMERS			
1969-72	4	F30, 40, 50; FP40, 50 Forklift	D41-19A
1973-74	4	AC-C20, 25, 30, 35, 40, 45, 50, 55; AC-P20, 25, 30; FP-40, 55, Model 500 Forklift	D41-19A
CONTINENTAL			
ALL	3	TM-20 Engine Models	D33-03A
ALL	4	TM-27 Engine Models	D43-04B
		F4 Series "L" Head Engine	D41-05A
1940-66	4	F124, F140, F162, (Top Outlet)	D41-05A
1965-Present	4	F163 (Top Outlet), Y4 Series "L" Head Engine	D41-05A
1965-Present	4	Y112 (Top Outlet)	D41-05A
		F6 Series "L" Head Engine	D61-06A
1940-65	6	F209, F218, F224, F226, F244 (Top Outlet)	D61-06A
1965-Present	6	F227, F245, (Top Outlet)	D61-06A
PERKINS			
Up to 1992	4	G4236 Engine	D41-20A
WAUKESHA			
1970-Present	4	D155G, D176G, VRG220	D41-01A
WISCONSIN (TWM ENGINE MODELS)			
1955-Present	1	BKN	D11-18A
1957-Present	1	AENL	D11-18A
1980-Present	2	W2-1230, W2-1235	D21-11A
1987-Present	2	W2-1250	D21-11A
1968-Present	2	TJD	D21-12A
1980-Present	2	W2-880	D21-12A
1956-present	4	VH4D (Side Mount)	D41-09B
1967-Present	4	V465D (Side Mount)	D41-09B
ALL	4	VG4D (Side Mount)	D41-09B
1976-Present	4	W4-1770 (Side Mount)	D41-09B
1956-Present	4	VH4D (Top Mount)	D41-10B
1976-Present	4	W4-1770 (Top Mount)	D41-10B
1967-Present	4	V465D (Top Mount)	D41-11B
ALL	4	VG4D (Top Mount)	D41-11B
AGCO (FORMERLY) DEUTZ-ALLIS			
ALL	4	Gas & LP Harvey Eng. CAWR, CAWD, CAWF, D10, D12, D14, D15, D160, D170	D41-19A

CONTINENTAL DISTRIBUTOR INTERCHANGE

The PerTronix 4 cylinder and 6 cylinder distributors should replace Prestolite and/or Delco-Remy distributors in Continental engines. F4, F6 and Y4 series engines manufactured since 1965 require no modifications. On engines prior to 1965 some modifications may be necessary.

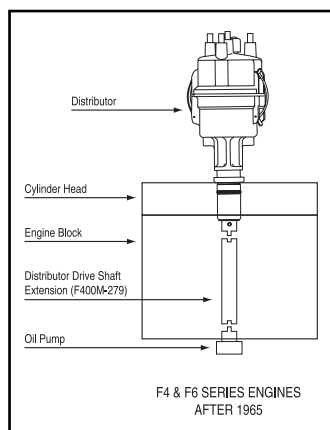


Figure 1

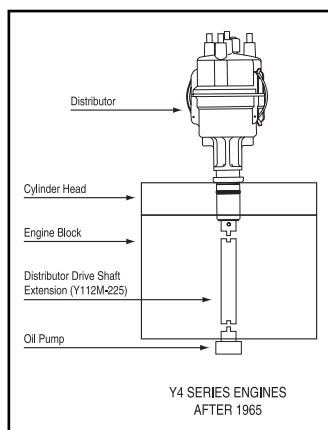


Figure 2

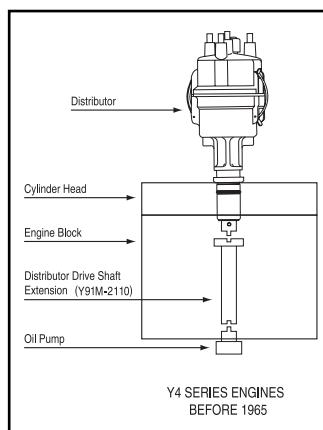


Figure 3

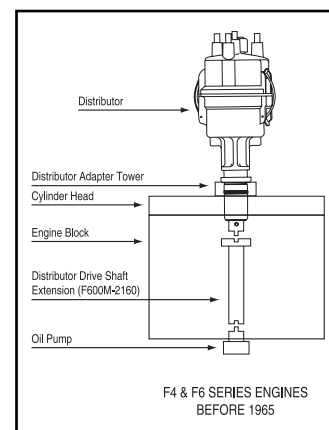
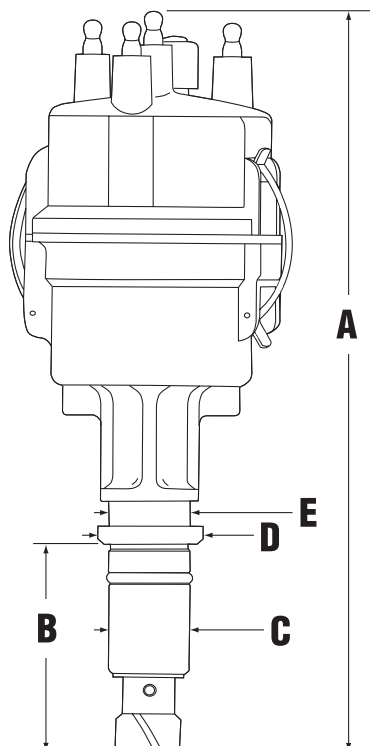


Figure 4

Figure No. 1 & 2 have generally been used since 1965 on F4, F6 & Y4 series engines. No modifications should be required for the replacement distributor. Figure No. 3 & 4 were generally used on F4, F6 & Y4 series engines prior to 1965, and require some modifications for proper distributor installation. On earlier engines (1935-40) the distributor drive shaft extensions were pinned on one end. These will be extremely difficult to adapt.

To apply PerTronix distributor to Figure No. 3, remove shaft extension number (Y91M-2110). Replace with shaft extension number (Y112M-255). If the distributor does not fit properly in the cylinder head, use Continental distributor adapter bushing number (X07704).

To apply PerTronix distributor to Figure No.4, remove adapter tower, and shaft extension (F600M-2160). Replace with shaft extension number (F400M-279). If the distributor does not appear to fit properly in the cylinder head, use Continental distributor adapter bushing number (X07704) F6 engines, and number (X07721) for F4 engines.



PerTronix Electronic Distributor	Distributor Dimensions (inches)					Drive Type	Distributor Rotation
	A	B	C	D	E		
D11-18A	6.30	2.67	1.06	N/A	N/A	N/A	CCW
D21-11A	8.29	2.85	1.06	N/A	N/A	GEAR	CW
D21-12A	7.88	2.46	1.06	N/A	N/A	GEAR	CCW
D33-03A	9.51	2.71	1.06	1.36	1.05	GEAR	CCW
D33-03AM	9.51	2.71	1.06	1.36	1.05	GEAR	CCW
D41-01A	8.55	2.34	1.06	1.60	1.12	TANG	CW
D41-05A	7.58	1.31	1.06	1.36	1.05	TANG	CCW
D41-09A	7.88	2.62	1.06	N/A	N/A	GEAR	CCW
D41-10B	7.88	2.66	1.06	N/A	N/A	GEAR	CCW
D41-19A	8.80	2.53	1.06	1.60	1.12	TANG	CW
D41-20A	8.25	2.13	1.06	1.69	1.05	GEAR	CCW
D43-04B	9.21	2.71	1.06	1.36	1.05	GEAR	CCW
D61-06B	7.64	1.31	1.06	1.36	1.05	TANG	CCW

INDUSTRIAL DISTRIBUTOR CROSS REFERENCE

Original Dist. No.	PerTronix Electronic Distributor
CLARK	
1636495	D41-01A
2372353	D41-01A
914528	D43-04B
COLT	
FMD1C7	D11-18A
FMD2C7	D21-12A
FMD2C7-B	D21-11A
FMD4C7	D41-09B
FMD427A	D41-10B
CONTINENTAL	
F162M-00232	D41-05A
F162M-00311	D41-05A
F162M-00315	D41-05A
F162M-00347	D41-05A
F162M-00412	D41-05A
F162M-00446	D41-05A
F162M-00462	D41-05A
F162M-00466	D41-05A
F186M-00202	D61-06A
F226M-00304	D61-06A
F226M-00309	D61-06A
F226M-00404	D61-06A
F226M-00407	D61-06A
F226M-00416	D61-06A
F226M-00421	D61-06A
F226M-00424	D61-06A
F226M-00433	D61-06A
F226M-00436	D61-06A
F244M-00406	D61-06A
F244M-00414	D61-06A
F244M-00523	D61-06A
F226M-00503	D61-06A
F400M-00305	D41-05A
F400M-00307	D41-05A
F400M-00392	D41-05A
F400M-00533	D41-05A
F400M-00411	D41-05A
F400M-00413	D41-05A
F400M-00449	D41-05A
F400M-00466	D41-05A
F400M-00472	D41-05A
F400M-00503	D41-05A
F400M-00507	D41-05A
F400M-00516	D41-05A
F400M-00518	D41-05A
F400M-00521	D41-05A
F400M-00531	D41-05A
F400M-00532	D41-05A
F401M-00405	D41-05A
F401M-00406	D41-05A
F600M-00305	D61-06A
F600M-00314	D61-06A
F600M-00373	D61-06A
F600M-00380	D61-06A
F600M-00405	D61-06A
F600M-00439	D61-06A
F600M-00440	D61-06A
F600M-00449	D61-06A
F600M-00451	D61-06A
F600M-00502	D61-06A
F600M-00508	D61-06A

Original Dist. No.	PerTronix Electronic Distributor
CONTINENTAL (CONTINUED)	
F600M-00509	D61-06A
F600M-00510	D61-06A
F600M-00518	D61-06A
F600M-00519	D61-06A
F600M-00525	D61-06A
TM13M-00501	D23-02A
TM20M-00500	D33-03A
TM20M-00501	D33-03A
TM20M-00503	D33-03AM
TM27M-00502	D43-04B
TM27M-00503	D43-04B
TM27M-00510	D43-04B
TM27M-00511	D43-04BM
Y112M-00237	D41-05A
Y112M-00305	D41-05A
Y112M-00500	D41-05A
Y400M-00281	D41-05A
Y112M-00311	D41-05A
Y91M-00411	D41-05A
DELCO	
1110021	D61-06A
1110060	D61-06A
1110305	D61-06A
1110306	D41-05A
1110402	D41-05A
1110420	D41-05A
1110423	D41-05A
1111310	D41-05A
1111356	D41-05A
1111428	D41-05A
1111429	D61-06A
1111432	D41-05A
1111576	D41-05A
1111620	D61-06A
1111700	D41-01A
1111712	D41-05A
1111716	D41-05A
1111717	D41-05A
1111728	D61-06A
1111895	D61-06A
1111913	D61-06A
1112508	D61-06A
1112552	D61-06A
1112567	D61-06A
1112604	D41-05A
1112628	D61-06A
1112637	D41-05A
1112672	D61-06A
1112673	D41-05A
1112685	D41-01A
1112789	D41-05A
1112508	D61-06A
MALLORY	
YL-664A	D41-01A
PRESTOLITE	
IAD-4029	D41-05A
IAD-4029A	D41-05A
IAD-4033	D61-06A
IAD-6002-1F	D61-06A
IAD-6003-2H	D41-05A

Original Dist. No.	PerTronix Electronic Distributor
PRESTOLITE (CONTINUED)	
IAD-6004-1E	D41-05A
IAD6004-2F	D41-09B
IAD-6004-2N	D41-09B
IAD-6004-2P	D41-10B
IAD-6006-1	D61-06A
IBT-4101H	D41-05A
IBT4105A	D41-01A
IBT-4201	D21-11A
IBT-4105B	D41-01A
IBT-4201	D21-11A
IBT-4105B	D41-05A
IBT-4705	D41-05A
IBT-4706	D41-05A
IBT-6501D	D61-06A
IBT-6702	D61-06A
IBT-6703	D61-06A
IDJ-4008	D41-05A
IDJ-4012	D41-05A
IDJ-4013	D61-06A
IDJ-4014	D61-06A
IDN-4012	D43-04B
IDN-4014	D33-03A
IDU-4403A	D41-01A
IDU-4403B	D41-01A
IDU-4408	D41-20A
IGB-4045A	D41-05A
IGB-4304B	D61-06A
IGC-4722	D61-06A
IGC-6004-1	D41-05A
IGW-4139	D4105A
IGW-4139C	D41-05A
IGW-4156A	D41-05A
IGW-4408	D11-18A
IGW-4412	D21-12A
IGW-6581B	D41-05A
WAUKESHA	
60262K	D41-01A
69748A	D41-01A
WISCONSIN	
YF-10C	D41-09B
YF-10D	D41-10B
YF-35	D21-12A
YF-40	D21-12A
YF-42	D21-11A
YF-45	D41-09B
YF-45A	D41-10B
YF-46	D21-12A
YF-48	D21-11A
YF-49	D11-18A
YF-50, YF-50C	D41-09B
YF-50A, YF-50D	D41-10B
YF-50B, YF-50E	D41-11B
YF-51, YF-51A	D21-11A
YF-52, YF-52A	D21-12A
YF-53	D11-18A
YF-54, YF-54A	D21-13A
YF-55, YF-55A	D41-24A
YF-8C	D11-18A

TUNE-UP PARTS

PerTronix Electronic Distributor	Gasket	Cap & Gasket Kit	Rotor Kit	Dust Cover
D11-18A	027-001	022-1101		
D21-11A	027-001	022-1203	020-1002	021-001
D21-12A	027-001	022-1202	020-1002	021-001
D21-13A	027-001	022-1204	020-1002	021-001
D33-03A	027-002	022-1301	020-1001	021-001
D33-03AM	027-002	022-1301	020-1001	021-001
D41-01A	027-001	022-1403	020-1003	021-001
D41-05A	027-001	022-1403	020-1003	021-001
D41-09B	027-001	022-1403	020-1002	021-001
D41-10B	027-001	022-1403	020-1002	021-001
D41-19A	027-001	022-1403	020-1003	021-001
D41-20A	027-001	022-1403	020-1003	021-001
D43-04B	027-002	022-1404	020-1001	021-001
D61-06A	027-001	022-1602	020-1003	021-001
D61-19B	027-001	022-1602	020-1003	021-001



REPLACEMENT DISTRIBUTOR PARTS

PerTronix Electronic Distributor	Drive or Gear Kit	Spring Kit	Weight Kit	Vacuum Kit
D11-18A		018-1006	019-1001	
D21-11A	023-1002	018-1005	019-1003	
D21-12A	023-1003	018-1004	019-1001	
D21-13A	023-1003	018-1004		
D33-03A	023-1001	018-1001	019-1001	024-001
D33-03AM	023-1001	018-1001	019-1001	
D41-01A	023-1004	018-1007	019-1003	
D41-05A	023-1005	018-1002	019-1001	
D41-09B	023-1002	018-1003	019-1001	
D41-10B	023-1002	018-1003	019-1001	
D41-19A	023-1006	018-1008	019-1003	
D41-20A	023-1007	018-1009	019-1001	
D43-04B	023-1001	018-1001	019-1001	024-001
D61-06A	023-1005	018-1002	019-1001	
D61-19B		018-1008	019-1003	



REPLACEMENT ELECTRONIC PARTS

PerTronix Electronic Distributor	Magnet Sleeve	Electronic Module
D11-18A	026-101	025-004B
D21-11A	026-202	025-005B
D21-12A	026-201	025-004B
D21-13A	026-203	025-004B
D33-03A	026-301	025-002B
D33-03AM	026-301	025-006B
D41-01A	026-401	025-008A
D41-05A	026-401	025-003A
D41-09B	026-401	025-003A
D41-10B	026-401	025-003A
D41-19A	026-401	025-007A
D41-20A	026-401	025-003A
D43-04B	026-401	025-001A
D61-06A	026-601	025-003A
D61-19B	026-601	025-007A



APPAREL

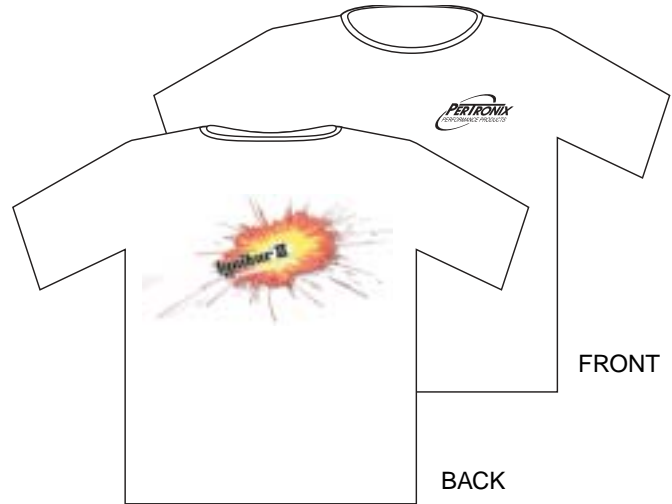
PerTronix now offers t-shirts in three great designs. Ignitor II, Flame-Thrower and Patriot Exhaust Products. Each t-shirt features a large color design on the back and a small PerTronix or Patriot logo on the front. Printed on high quality 100% pre-shrunk cotton Haines® Beefy® t-shirts. Available colors and sizes are listed below.

IGNITOR II T-SHIRTS

PerTronix Performance Products logo on front and colorful Ignitor II Electronic Ignition Burst on back.



Med	A0301M	A0303M	\$ 9.00
Large	A0301L	A0303L	\$ 9.00
X-Large	A0301X1	A0303X1	\$ 9.00
XX-Large	A0301X2	A0303X2	\$10.25
XXX-Large	A0301X3	A0303X3	\$11.00



FLAME-TROWER T-SHIRTS

PerTronix Performance Products logo on front and Flame-Thrower Burst on back.



Med	A0401M	A0402M	A0403M	\$ 9.00
Large	A0401L	A0402L	A0403L	\$ 9.00
X-Large	A0401X1	A0402X1	A0403X1	\$ 9.00
XX-Large	A0401X2	A0402X2	A0403X2	\$10.25
XXX-Large	A0401X3	A0402X3	A0403X3	\$11.00



PATRIOT T-SHIRTS

Patriot logo on front, Patriot Exhaust Products Oval on back.



Med	A0501M	A0502M	\$ 9.00
Large	A0501L	A0502L	\$ 9.00
X-Large	A0501X1	A0502X1	\$ 9.00
XX-Large	A0501X2	A0502X2	\$10.25
XXX-Large	A0501X3	A0502X3	\$11.00



To order PerTronix T-shirts please call the order desk telephone number (800) 827-3758. Visa and Mastercard accepted.